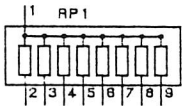
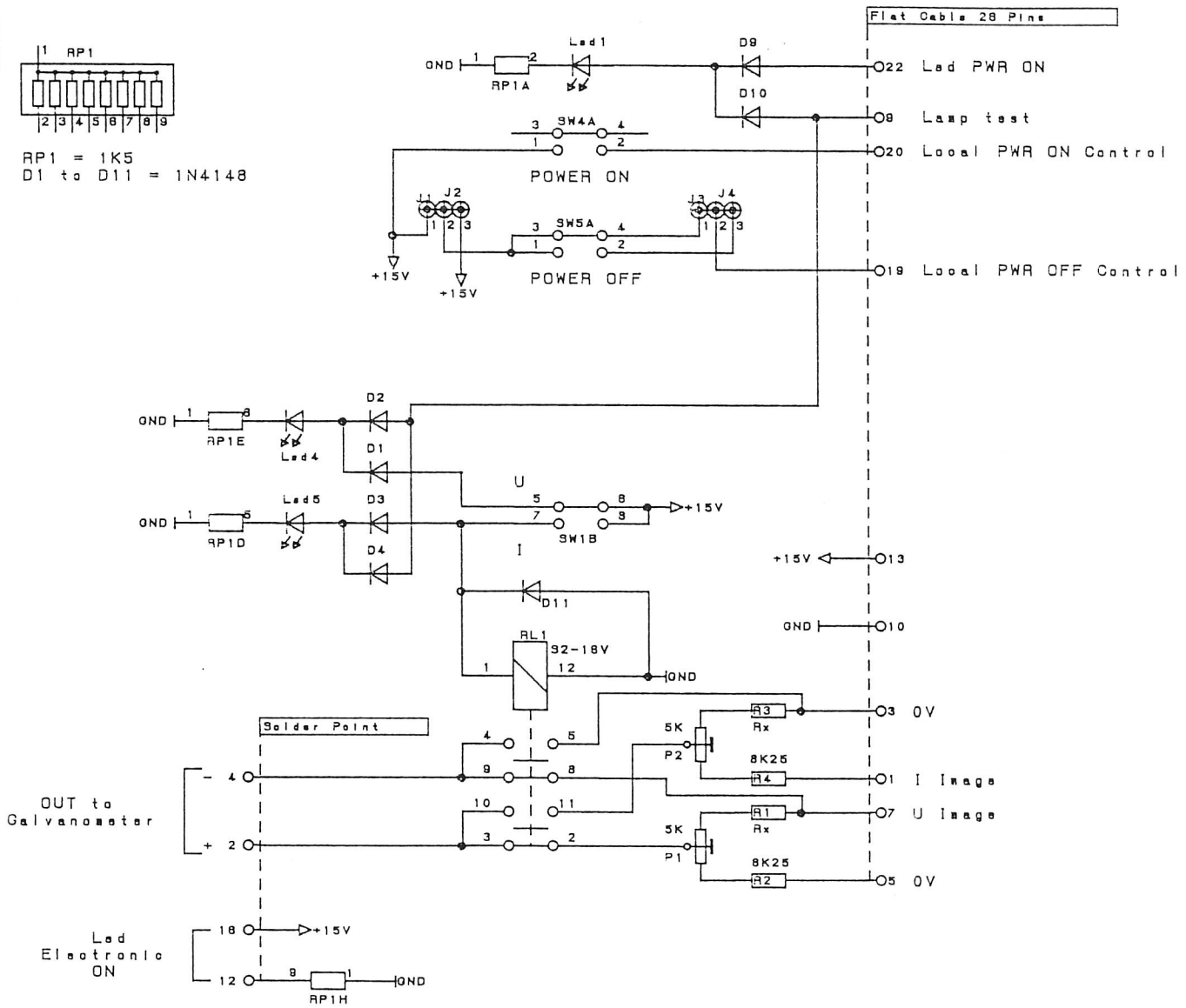


JUMPS

- J1: OFF only in Local
- J2: OFF possible in Local and Remote simultaneously
- J3: OFF with normally closed contact
- J4: OFF with normally open contact



RP1 = 1K5
D1 to D11 = 1N4148

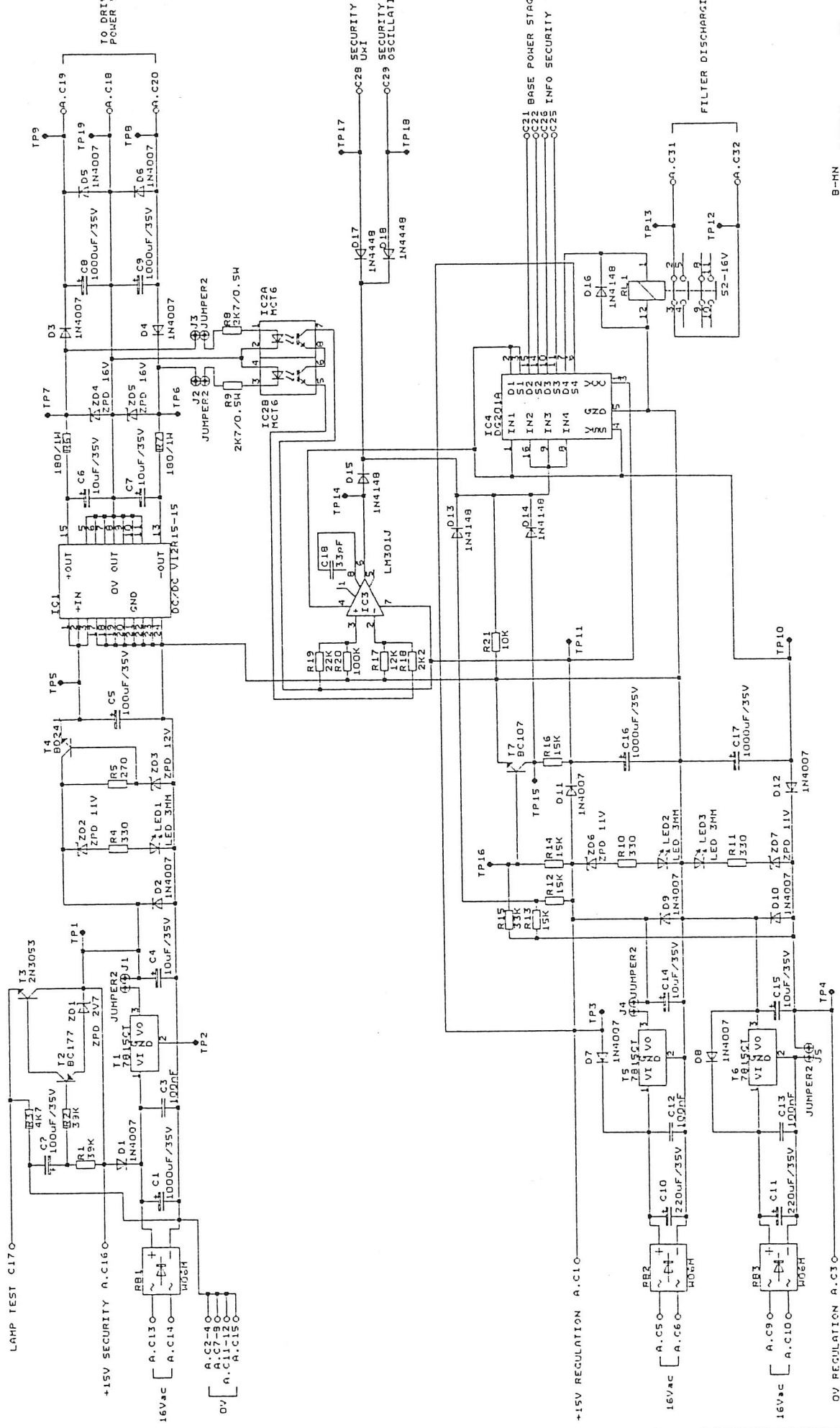


B-MN
CONTROL KEY BOARD

ART NR : W1203460
 PRT NR : W4P2824
 DWG NR : W4S22318
 DSK NR : W5K20321



DRAWN	APPROV	MODIFICATION
TN		
89.3		



B-M-N
POWER SUPPLY
PROTECTION

ART NR : H4203461
PRT NR : H4P2769
DWG NR : H4S22289
DSK NR : H4N20121

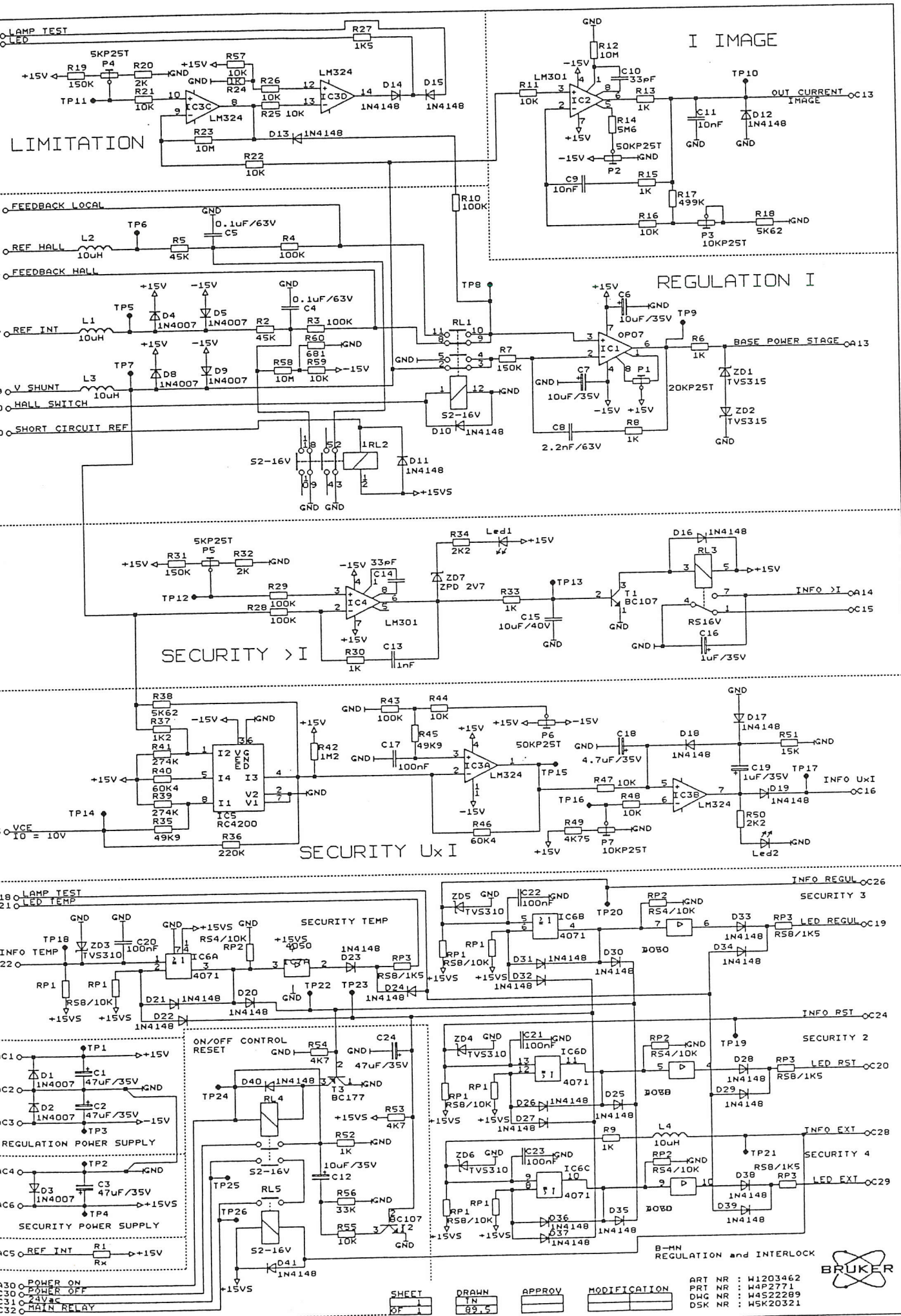
SHEET
OF

DESIGN
BY

APPROV
BY

MODIFICATION

BRUKE
SAISA



LIMITATION

I IMAGE

REGULATION I

SECURITY > I

SECURITY Ux I

SECURITY 3

SECURITY 2

SECURITY 4

B-MN REGULATION and INTERLOCK



30 POWER ON
31 POWER OFF
32 24VAC
33 MAIN RELAY

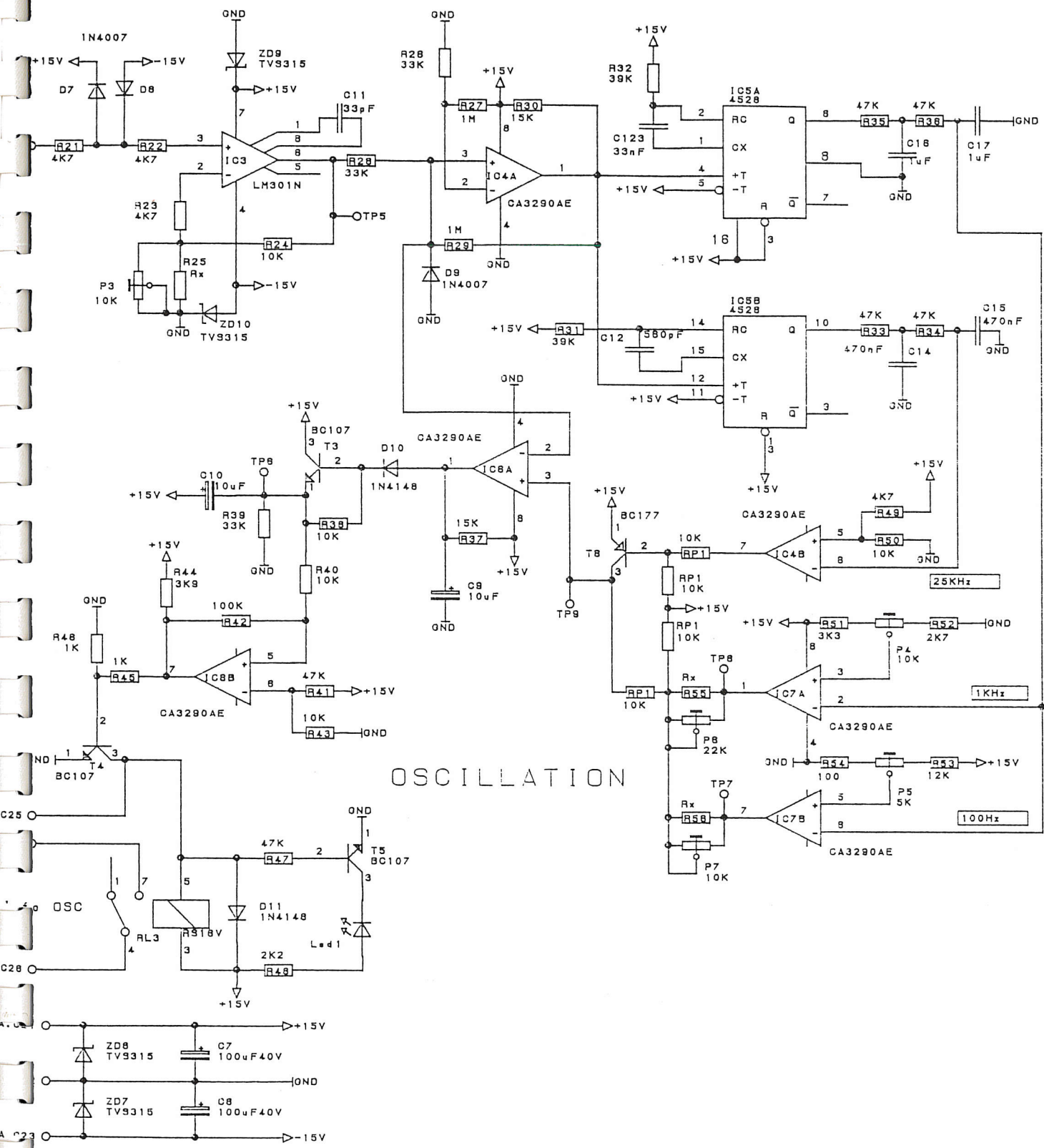
SHEET
0F 1

DRAWN
IN
89.5

APPROV

MODIFICATION

ART NR : W1203462
PRI NR : W4P2771
DWG NR : W4S22289
DSK NR : WSK20321



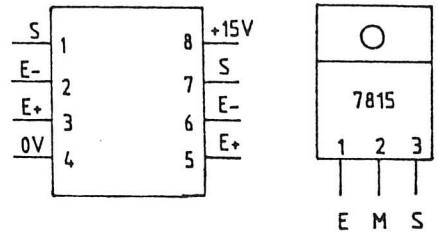
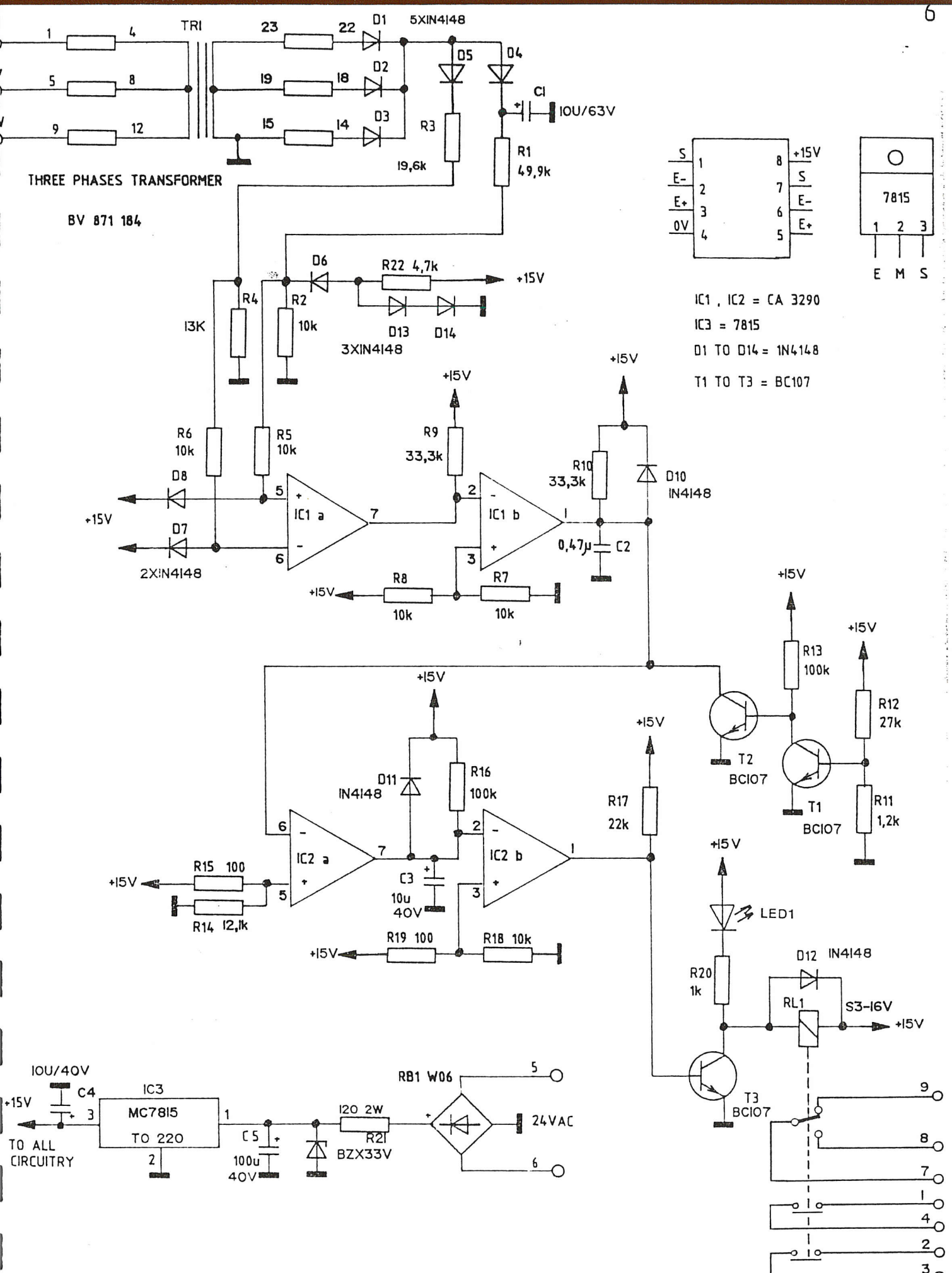
OSCILLATION

B-MN
OSCILLATION

DRAWN	APPROV	MODIFICATION
TN		
89.3		

ART NR : W1203487
 PRT NR : W4P2831
 DWG NR : W4922310
 DSK NR : W5K20321





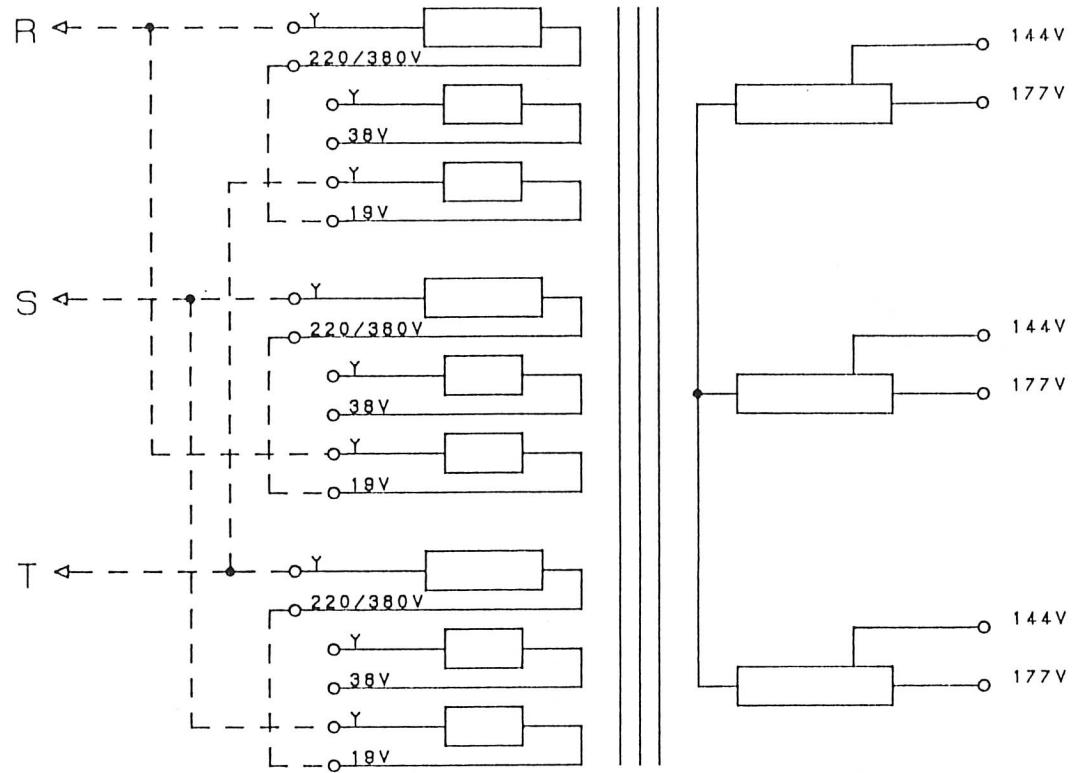
- IC1, IC2 = CA 3290
- IC3 = 7815
- D1 TO D14 = 1N4148
- T1 TO T3 = BC107

UNIVERSAL PHASE CONTROL CIRCUIT
 3X180 TO 530V
 W1203309

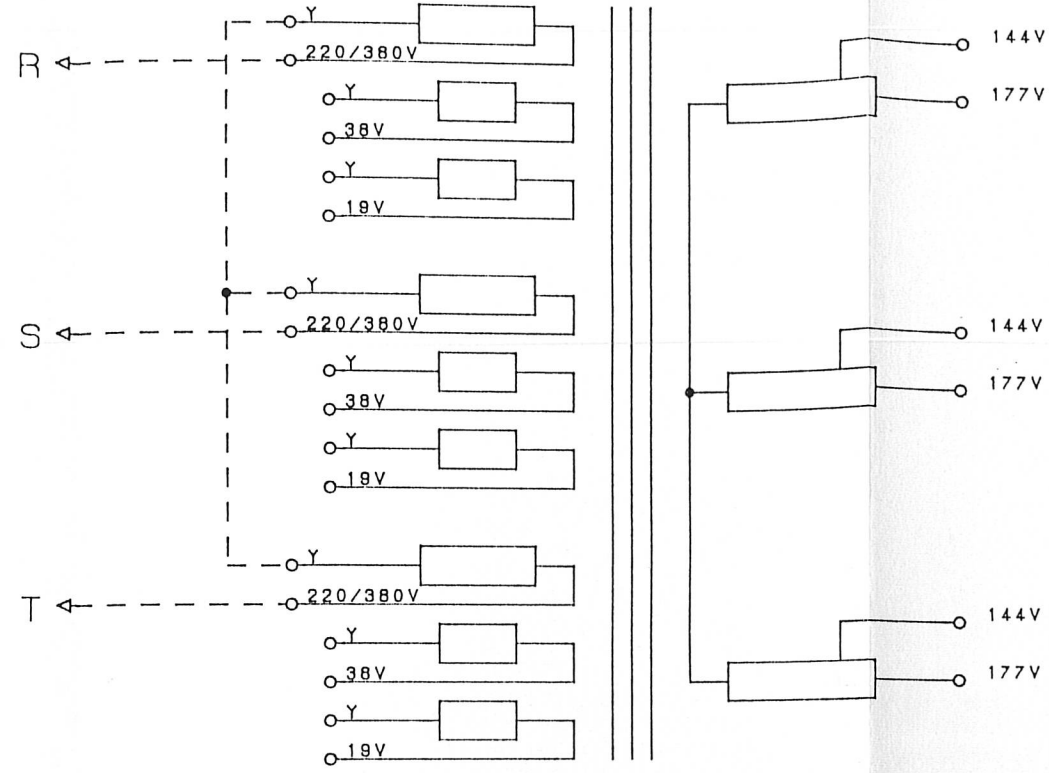
Drawn	Approv	Modification
ET		ET



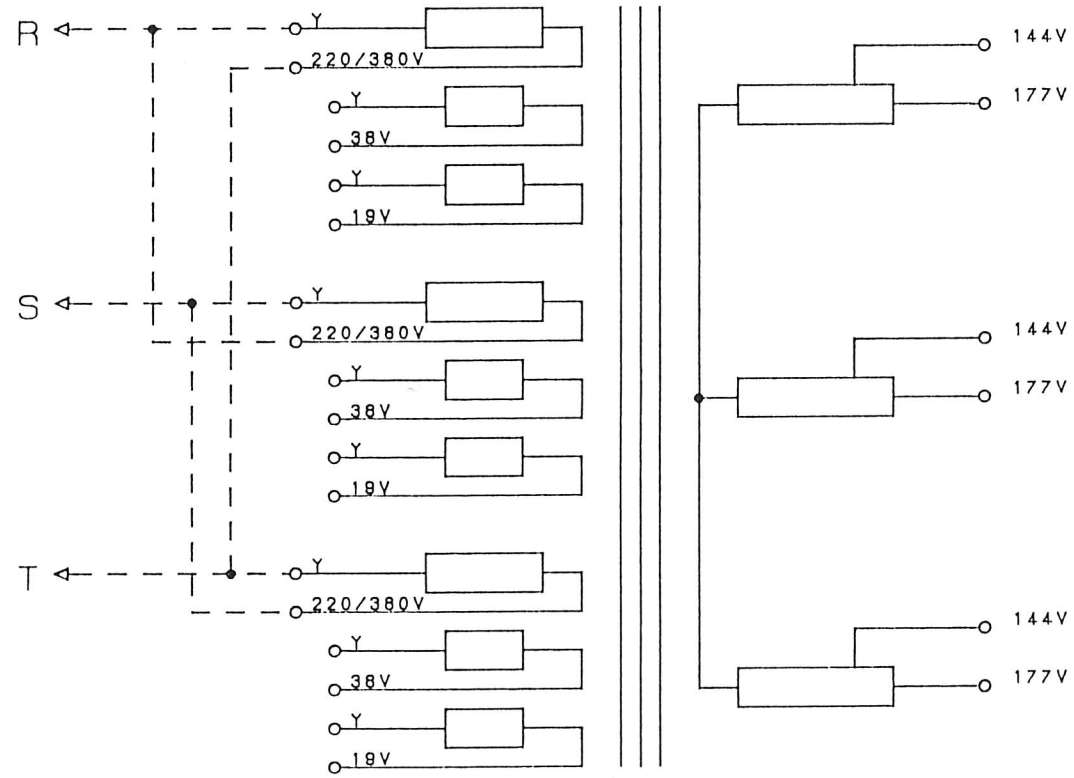
LINE INPUT 3X208V



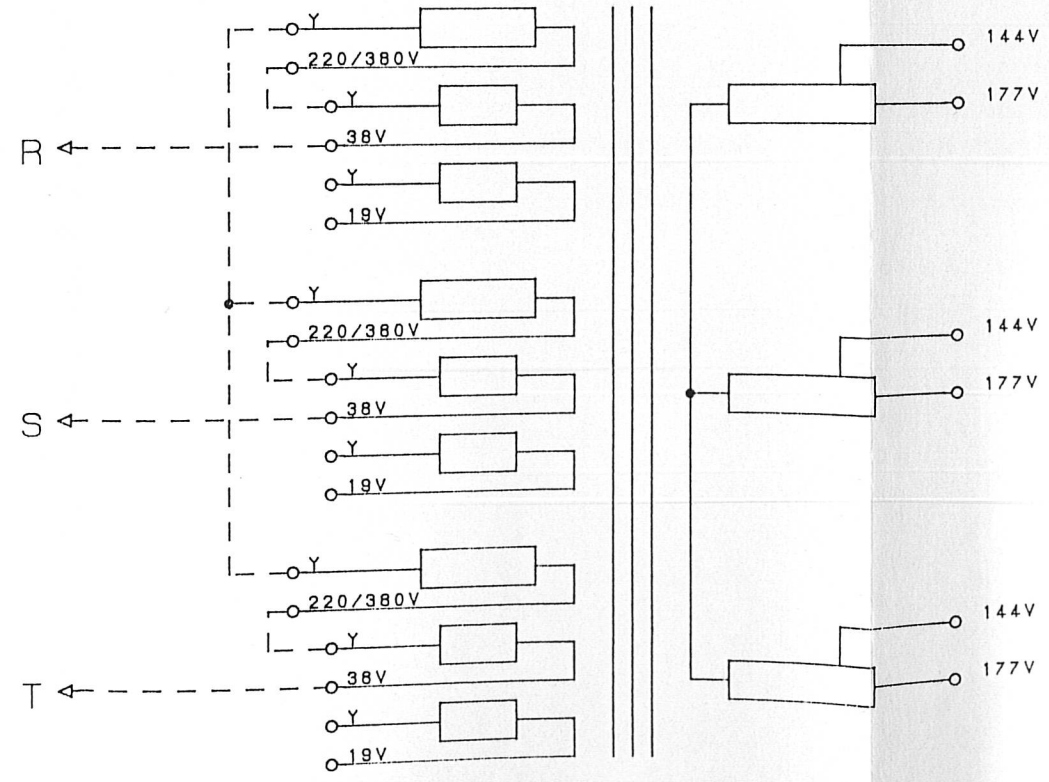
LINE INPUT 3X380V



LINE INPUT 3X220V



LINE INPUT 3X415V



3X144V=155/45 (ER082C)
 3X177V=200/60 (ER083C)

DRAWN
 DJ
 01/89

APPROV

MODIFICATION

B-MN
 TRANSFORMER
 155/45-200/60C

ART NR :
 PRT NR :
 DWG NR : W3S22280
 DSK NR : W5K20310

