

- > **Port size: 1/4" ... 1/2" (ISO G/PTF)**
- > **Excelon design allows in-line installation or modular installation with other Excelon products**
- > **High efficiency oil and particle removal**
- > **Quick release bayonet bowl**
- > **Service indicator standard**



Technical features

Medium:

Compressed air only

Maximum inlet pressure:

Transparent bowl:

10 bar (145 psi)

Metal bowl:

17 bar (250 psi)

Remaining oil content:

0,01 mg/m³ at +21°C (69°F)

Particle removal:

To 0,01 µm

Port size:

G1/4, G3/8, G1/2,

1/4 PTF, 3/8 PTF, 1/2 PTF

Flow:

10 dm³/s at port size: G3/8

Operating pressure: 6,3 bar (91 psi)

Drain:

Manual, automatic

Automatic drain operating conditions (float operated):

Bowl pressure required to close drain: > 0,3 bar (5 psi)

Bowl pressure required to open drain: ≤ 0,2 bar (2.9 psi)

Minimum air flow required to close drain: 0,1 dm³/s (0.2 scfm)

Manual operation: depress pin inside drain outlet to drain bowl

Ambient/Media temperature:

Transparent bowl:

-34 ... +50°C (-30 ... +122°F)

Metal bowl:

-34 ... +65°C (-30 ... +150°F)

Air supply must be dry enough to avoid ice formation at temperatures below +2°C (+35°F).

Materials:

Body: die cast aluminium

Bowl: transparent PC, with or without steel guard

alternative aluminium

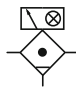
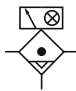
Element: synthetic fibre & PE foam

Elastomers: CR & NBR

Note:

Install an F73G filter with a 5 µm filter element upstream of the F73C filter for maximum service life.

Technical data - standard models

Symbol	Port size	Size	Drain	Bowl	Weight (kg)	Model
	G1/4	—	Manual	PC (transparent)	0,54	F73C-2GD-QT0
	G3/8	Basic	Manual	PC (transparent)	0,54	F73C-3GD-QT0
	G1/2	—	Manual	PC (transparent)	0,54	F73C-4GD-QT0
	G1/4	—	Automatic	PC (transparent)	0,54	F73C-2GD-AT0
	G3/8	Basic	Automatic	PC (transparent)	0,54	F73C-3GD-AT0
	G1/2	—	Automatic	PC (transparent)	0,54	F73C-4GD-AT0

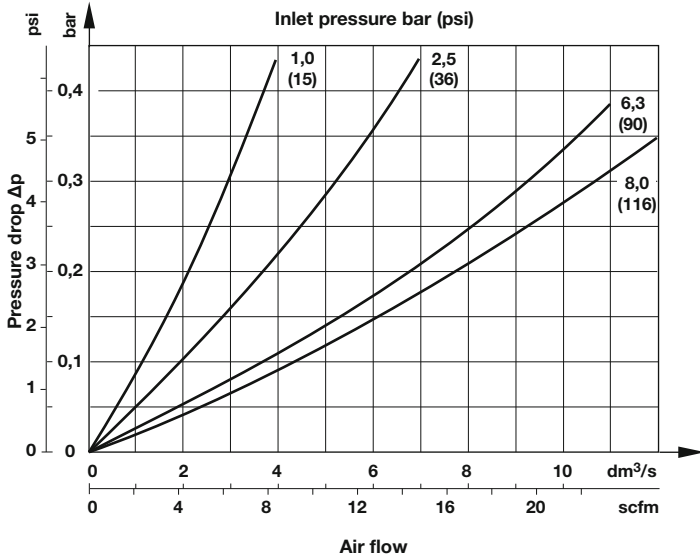
Option selector

F73C-★★★-★★0

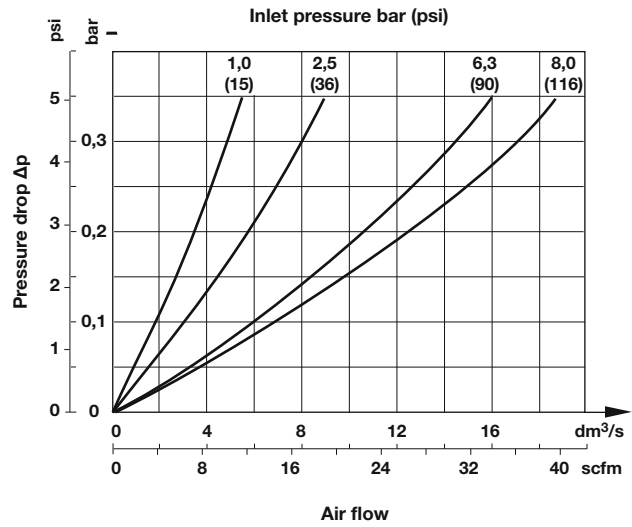
Port size	Substitute	Bowl	Substitute
1/4"	2	Transparent (standard)	T
3/8"	3	Metal	D
1/2"	4	Transparent with guard	P
Thread form	Substitute	Drain	Substitute
PTF	A	Manual	Q
ISO G parallel (standard)	G	Automatic	A
Service life indicator	Substitute		
With (visual, standard)	D		
Without	N		

Flow characteristics

Element saturated
Port size G3/8



Element dry
Port size G3/8



Typical performance characteristics

Inlet pressure (bar)	Maximum flow dm³/s* F73C
1	4
2,5	6,3
6,3	10
8	11,3

* Maximum flow to maintain stated oil removal performance

Accessories

Wall mounting bracket	Quikclamp®	Quikclamp with wall bracket®	Quikmount pipe adaptor *1)	Porting block with three alternative 1/4" ports	2/2 Shut-off valves (for full technical specification see datasheet 8.180.600)	3/2 Shut-off valves (for full technical specification see datasheet 8.180.600)
Page 3	Page 3	Page 3	Page 3	Page 3	Page 3	Page 3
4424-50	4314-51	4314-52	G1/4: 4315-09 G3/8: 4315-10 G1/2: 4315-11 1/4 PTF: 4315-01 3/8 PTF: 4315-02 1/2 PTF: 4315-03	G1/4: 4316-52 1/4 PTF: 4316-50	G1/4: T73B-2GA-P1N G3/8: T73B-3GA-P1N G1/2: T73B-4GA-P1N 1/4 PTF: T73B-2AA-P1N 3/8 PTF: T73B-3AA-P1N 1/2 PTF: T73B-4AA-P1N	G1/4: T73T-2GA-P1N G3/8: T73T-3GA-P1N G1/2: T73T-4GA-P1N 1/4 PTF: T73T-2AA-P1N 3/8 PTF: T73T-3AA-P1N 1/2 PTF: T73T-4AA-P1N

*1) Please use a Quikmount pipe adaptor if the Quikclamp be mounted at inlet or outlet side.

Pressure switch

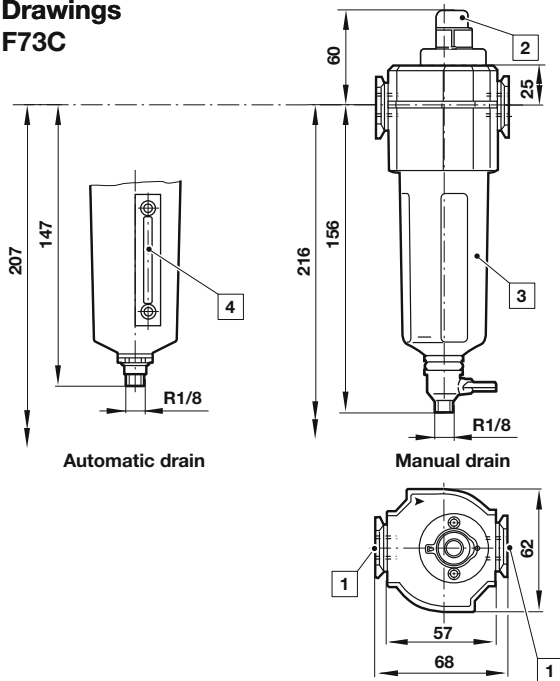
Porting block for pressure switch	Pressure switch (0,5 ... 8 bar)	Padlock (brass) with two keys *1)
Page 3		
0523110000000000	0881300000000000	0613633000000000

*1) for shut-off valves

Service kits

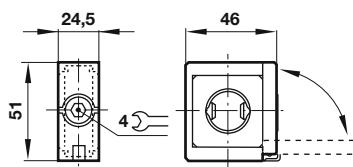
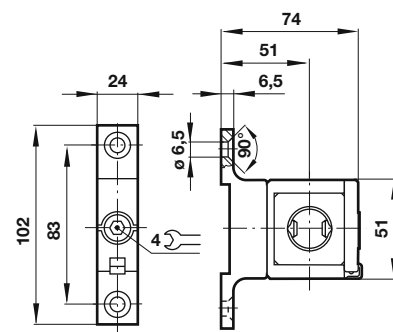
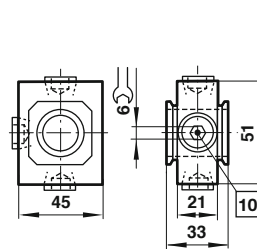
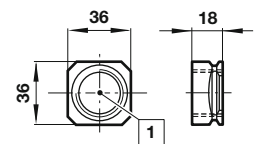
Automatic drain	Replacement element
F73C-KITA0C	4444-01

Drawings
F73C

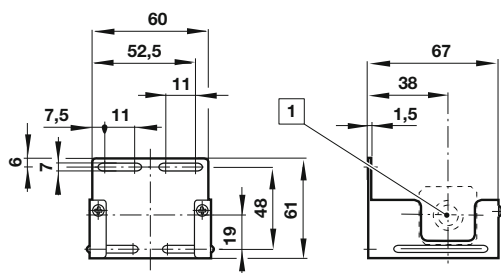
 Dimensions in mm
 Projection/First angle


Minimum clearance required to remove bowl

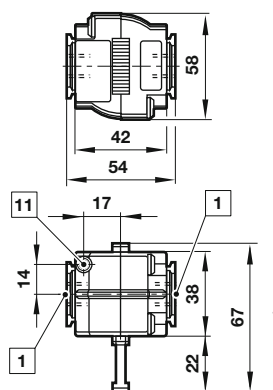
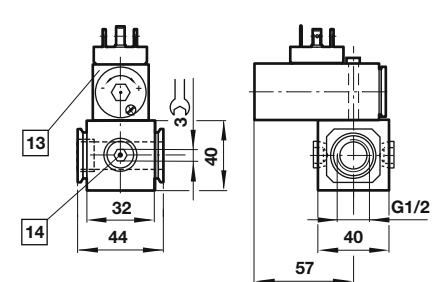
- 1 Main ports 1/4", 3/8" or 1/2"
- 2 Service life indicator
- 3 Transparent bowl with or without guard
- 4 Metal bowl with liquid level indicator lens

Accessories
Quikclamp®

Quikclamp® with wall bracket

Porting block

Pipe adapter


- 1 Main ports 3/8", 1/2" or 3/4" ISO G/PTF
- 10 Ports 1/4" ISO G/PTF plugged

Wall mounting bracket


- 1 Main ports

Shut-off valves

Porting block for pressure switch


- 1 Main ports 1/4", 3/8" or 1/2" ISO G/PTF
- 11 Exhaust port M5 at 3/2 valve only
- 13 Pressure switch is not in scope of delivery
- 14 Alternative G1/2 ports plugged

Warning

These products are intended for use in industrial compressed air systems only. Do not use these products where pressures and temperatures can exceed those listed under »**Technical features/data**«.

Before using these products with fluids other than those specified, for non-industrial applications, life-support systems or other applications not within published specifications, consult IMI Precision Engineering, Norgren Inc.

Through misuse, age, or malfunction, components used in fluid power systems can fail in various modes. The system designer is warned to consider the failure modes of all component parts used in fluid power systems and to provide adequate safeguards to prevent personal injury or damage to equipment in the event of such failure.

System designers must provide a warning to end users in the system instructional manual if protection against a failure mode cannot be adequately provided.

System designers and end users are cautioned to review specific warnings found in instruction sheets packed and shipped with these products.