

AQS ACB Extended Board

**H9500
Technical Manual**

Version 001

BRUKER

The information in this manual may be altered without notice.

BRUKER accepts no responsibility for actions taken as a result of use of this manual. BRUKER accepts no liability for any mistakes contained in the manual, leading to coincidental damage, whether during installation or operation of the instrument. Unauthorised reproduction of manual contents, without written permission from the publishers, or translation into another language, either in full or in part, is forbidden.

© January 12, 2000: Bruker Analytik GmbH

Rheinstetten, Germany - P/N Z31565

Contents

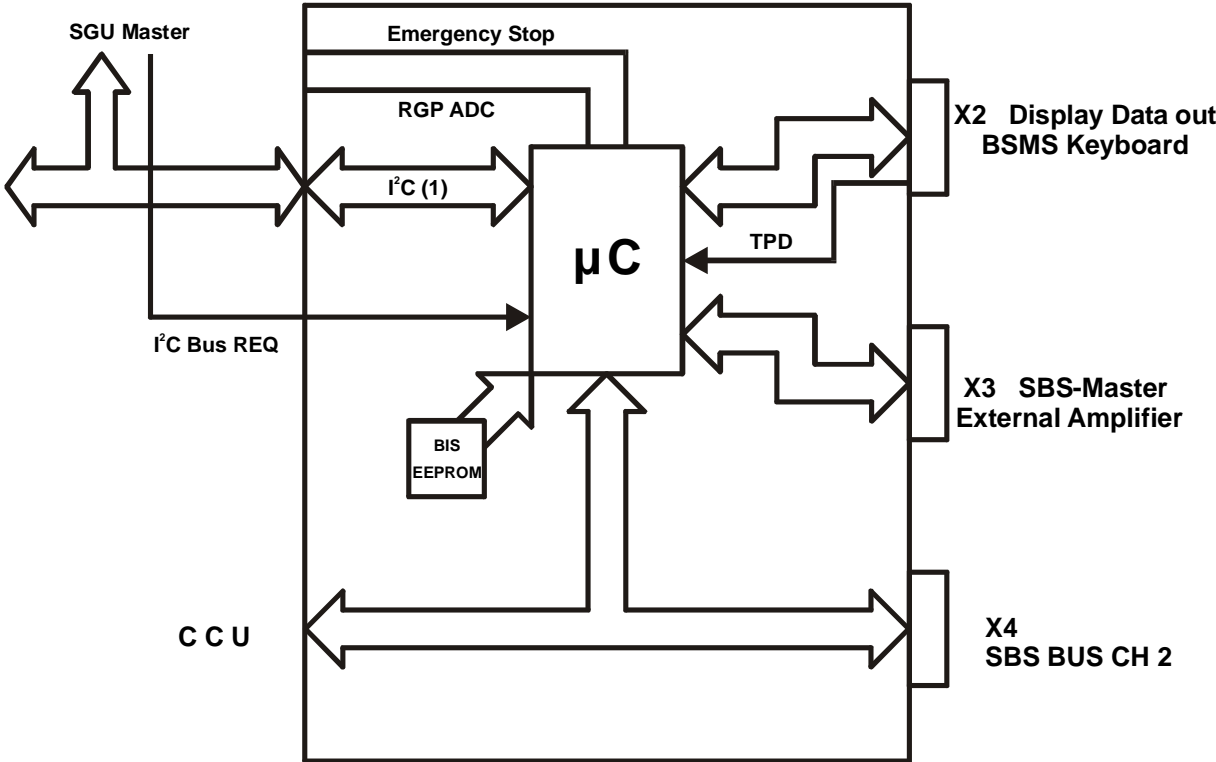
	Contents	iii
1	AQS ACB Extended	5
1.1	ACB Extended Block Diagram	5
1.2	ACB Extended Connectors	6
1.3	ACB Extended Connector Block Diagram	7

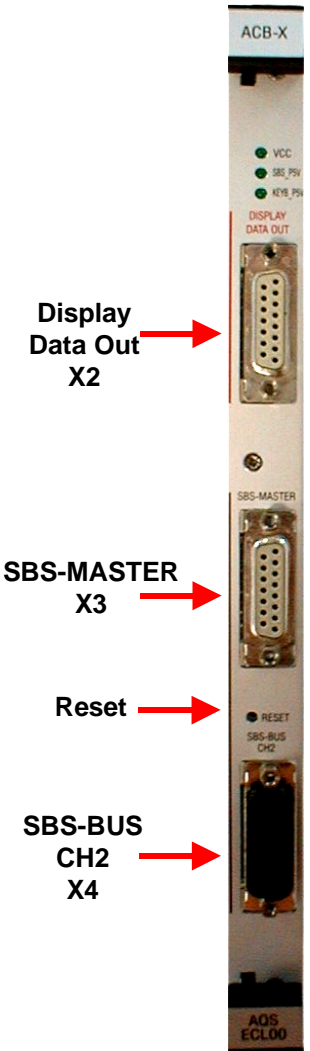
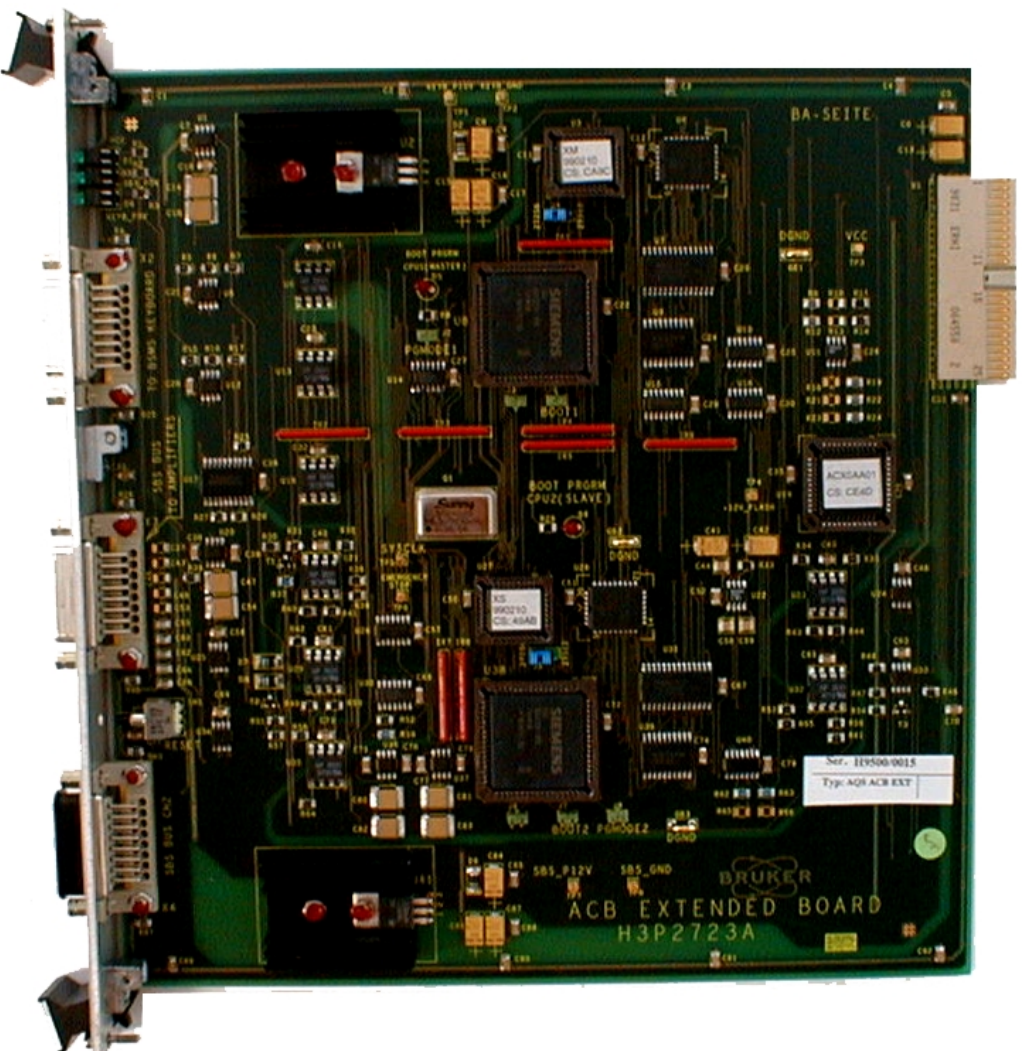
Contents

AQS ACB Extended

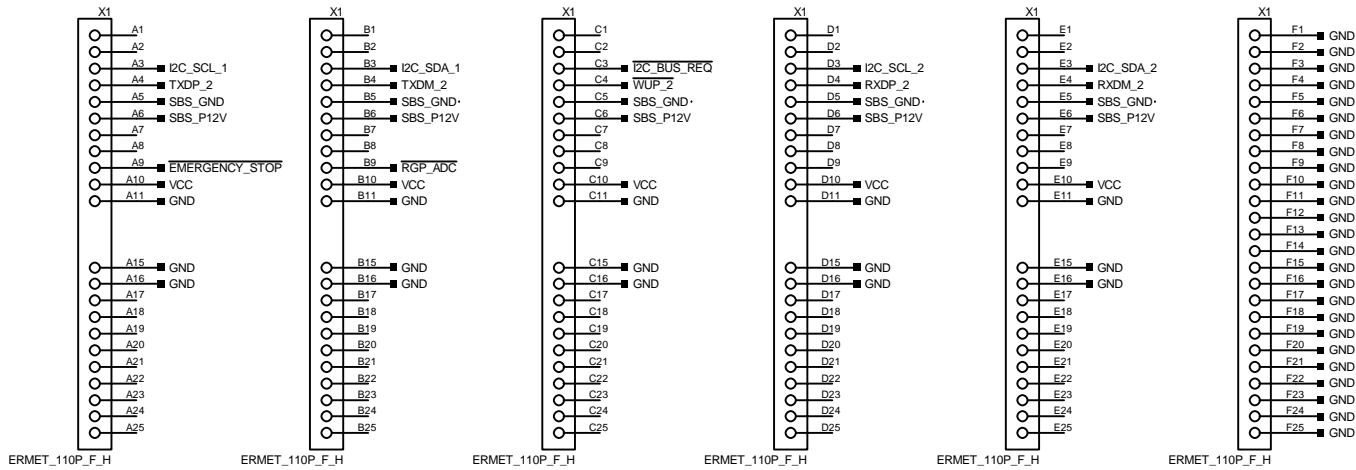
1

ACB-Extended

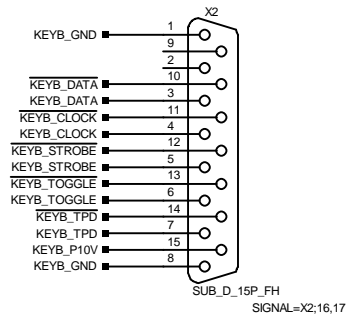




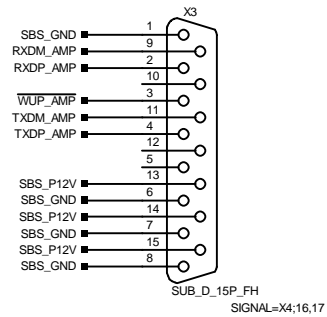
Backplane Connector



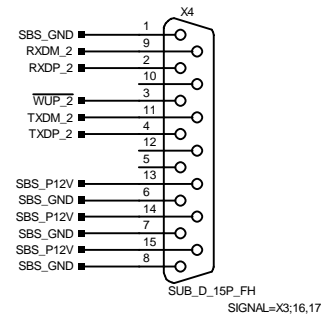
Front Panel Connector to BSMS Keyboard



Front Panel Connector SBS Bus to Amplifiers



Front Panel Connector SBS Bus (CH2)



BRUKER BRUKER ANALYTIK GMBH

Board Part No.: H9500 Designer: THW
 Print Part No.: H9501 Proj. Name: AQS ACB EXTENDED BOARD
 Print No.: H3P2723B Proj. No.: HP980060
 EC-Level: 02

Title: AQS ACB EXTENDED BOARD (CONNECTORS)		
Document No.: H3P104033A	Date: 12-16-1999 10:11	
Filename: CONNECTORS	Sheet: 2 of 3	