

Liebert® GXT3™ 208V, 5000-10,000VA, 6000RTL630
User Manual



TABLE OF CONTENTS

1.0	INTRODUCTION	4
2.0	SYSTEM DESCRIPTION	5
2.1	Transient Voltage Surge Suppression (TVSS) and EMI/RFI Filters.	5
2.2	Rectifier/Power Factor Correction (PFC) Circuit	5
2.3	Inverter	5
2.4	Battery Charger	5
2.5	DC-to-DC Converter	5
2.6	Battery	6
2.7	Dynamic Bypass	6
3.0	MAJOR COMPONENTS	7
3.1	Main Frame and Electronics	7
3.2	Removable Power Distribution Box.	9
3.3	Internal Battery Packs.	10
4.0	WHAT'S INCLUDED	11
5.0	INSTALLATION AND CONFIGURATION	12
5.1	Install the Main Cabinet	12
5.1.1	Tower UPS Installation	12
5.1.2	Rack-Mount UPS Installation	13
5.1.3	Installing the Adjustable Rack-Mount Kit—Sold Separately	13
5.2	External Battery Cabinet Installation	16
5.3	Connect Input/Output Power.	17
5.3.1	Remove the Power Distribution Box from 5000 and 6000VA Models	17
5.3.2	Remove the Power Distribution Cover from 8000 and 10,000VA Models	18
5.3.3	Install the Power Distribution Box on 5000 and 6000VA Models	18
5.3.4	Install the Power Distribution Box on 8000 and 10,000VA Models	19
5.3.5	Distribution Box Electrical Connections	19
5.4	IT Power System Configuration—Liebert GXT3-6000RTL630 Only	21
6.0	CONFIGURATION PROGRAM	22
6.1	Configuration Program Features	22
6.1.1	What You Will Need.	22
7.0	CONTROLS AND INDICATORS.	23
7.1	ON/Alarm Silence/Manual Battery Test Button	23
7.2	Standby/Manual Bypass Button	23
7.3	Load Level Indicators (4 Green, 1 Amber)	24
7.4	Battery Level Indicators (5 Green)	24
7.5	UPS Status Indicators	25
8.0	OPERATION	26
8.1	Startup Checklist for the Liebert GXT3	26
8.2	Initial Startup and Electrical Checks	26
8.3	Manual Battery Test	27

8.4	Put the Liebert GXT3 in Manual Bypass	27
8.5	Shut Down the Liebert GXT3	27
8.6	Disconnecting Input Power from the Liebert GXT3.	27
8.7	Maintenance Bypass	27
9.0	COMMUNICATION	28
9.1	Communication Interface Port	28
9.2	Terminal Block	28
9.2.1	Any-Mode Shutdown	28
9.2.2	Battery Mode Shutdown	28
9.2.3	On Battery	29
9.2.4	Low Battery	29
9.3	UPS IntelliSlot Communication Cards	29
9.3.1	Liebert MultiLink.	30
9.4	Remote Emergency Power Off.	30
10.0	MAINTENANCE	31
10.1	Replacing the Internal Battery Pack.	31
10.1.1	Battery Replacement Procedures	31
10.2	Battery Charging	32
10.3	Precautions	32
10.4	Checking UPS Status.	33
10.5	Checking UPS Functions	33
10.6	Replacing the Power Module on 8000 and 10,000VA models	33
11.0	TROUBLESHOOTING	35
11.1	UPS Symptoms.	35
11.1.1	Indicators	35
11.1.2	Audible Alarm.	36
11.2	Troubleshooting	36
12.0	SPECIFICATIONS	38
12.1	Auto-Learning Battery Run Times	44

FIGURES

Figure 1	Liebert GXT3 front view—rack-mount and tower configurations	7
Figure 2	Liebert GXT3 5000VA and 6000VA rear view	7
Figure 3	Input power hardwire boxes—5000 and 6000VA models	7
Figure 4	Liebert GXT3-6000RTL630, rear view.	8
Figure 5	Liebert GXT3 8000VA and 10,000VA rear view	8
Figure 6	Power distribution models for 5000VA and 6000VA models of Liebert GXT3	9
Figure 7	Power distribution models for 8000VA and 10,000VA models of Liebert GXT3	10
Figure 8	Internal battery pack features	10
Figure 9	Support bases	12
Figure 10	Remove the front plastic bezel cover	12
Figure 11	Rotate the operation and display panel.	13
Figure 12	External battery cabinets connected to 6000VA Liebert GXT3	16
Figure 13	Power distribution box removal from 5000 and 6000VA models	17
Figure 14	Power distribution box removal from 8000 and 10,000VA models	18
Figure 15	Distribution box electrical connections diagram	19
Figure 16	Terminal block connections	20
Figure 17	Remove cover from IT Power System Connectors compartment	21
Figure 18	Liebert GXT3 control panel	23
Figure 19	Load level indicators.	24
Figure 20	Battery level indicators.	24
Figure 21	Terminal block communication pin layout	28
Figure 22	Removing the front plastic bezel cover and battery door	31
Figure 23	Disconnecting the battery plug and battery receptacle (front view)	31
Figure 24	Pulling out the battery packs	32
Figure 25	Removing power module from Liebert GXT3 8000 and 10,000VA models	34
Figure 26	Battery level indicator	35

TABLES

Table 1	Branch circuit breaker ratings	19
Table 2	Electrical specifications	20
Table 3	UPS status indicators	25
Table 4	Indicator descriptions	35
Table 5	Audible alarm description	36
Table 6	Troubleshooting table	36
Table 7	UPS specifications—5000, 6000, 8000 and 10,000 models	38
Table 8	UPS specifications—Liebert GXT3-6000RTL630	39
Table 9	Operating temperature parameters.	40
Table 10	Internal battery cabinet specifications	40
Table 11	External battery cabinet specifications	41
Table 12	Power distribution specifications: GXT3-5000RT208, GXT3-6000RT208 and GXT3-6000RTL630	41
Table 13	Power distribution box specifications for GXT3-8000RT208 and GXT3-10000RT208	42
Table 14	Battery run time, minutes	43

IMPORTANT SAFETY INSTRUCTIONS

SAVE THESE INSTRUCTIONS

This manual contains important safety instructions. Read all safety and operating instructions before operating the uninterruptible power system (UPS). Adhere to all warnings on the unit and in this manual. Follow all operating and user instructions. This equipment can be operated by individuals without previous training.

This product is designed for commercial/industrial use only. It is not intended for use with life support and other designated “critical” devices. Maximum load must not exceed that shown on the UPS rating label. The UPS is designed for data processing equipment. If uncertain, consult your dealer or local Emerson Network Power representative.

This UPS is designed for use on a properly grounded (earthed), 100/200, 110/220, 115/230, 120/208, 120/240 or 127/220VAC, 50 or 60Hz supply. The factory default setting is 120/208VAC, 60Hz. Installation instructions and warning notices are in this manual.

The GXT3 208VAC 5000 - 10000 is designed for use with a four-wire input (L1, L2, N, G).

The GXT3-6000RTL630 is designed be used with a three-wire, two-phase utility source (L1, L2, G).



WARNING

The battery can present a risk of electrical shock and high short circuit current. The following precautions should be observed when replacing the battery pack:

- Wear rubber gloves and boots
- Remove rings, watches and other metal objects.
- Use tools with insulated handles.
- Do not lay tools or other metal objects on the batteries.
- If the battery kit is damaged in any way or shows signs of leakage, contact your local Emerson representative immediately.
- Do not dispose of batteries in a fire. The batteries may explode.
- Handle, transport and recycle batteries in accordance with local regulations.



WARNING

Although the Liebert GXT3 has been designed and manufactured to ensure personal safety, improper use can result in electrical shock or fire. To ensure safety, observe the following precautions:

- Turn Off and unplug the Liebert GXT3 before cleaning it.
- Clean the UPS with a dry cloth. Do not use liquid or aerosol cleaners.
- Never block or insert any objects into the ventilation holes or other openings of the UPS.
- Do not place the Liebert GXT3 power cord where it might be damaged.

ELECTROMAGNETIC COMPATIBILITY—The Liebert GXT3 complies with the limits for a Class A digital device, pursuant to Part 15 of FCC rules.

Operation is subject to the following conditions:

- This device may not cause harmful interference.
- This device must accept any interference received, including interference that may cause undesired operation. Operating this device in a residential area is likely to cause harmful interference that users must correct at their own expense.

The Liebert GXT3 series complies with the requirements of EMC Directive 2004/108/EC and the published technical standards. Continued compliance requires installation in accordance with these instructions and use of accessories approved by Emerson.

NOTICE

This is a product for restricted sales distribution to informed partners. Installation restrictions or additional measures may be needed to prevent radio interference.

Operate the UPS in an indoor environment only in an ambient temperature range of 0-40°C (32-104°F). Install it in a clean environment, free from moisture, flammable liquids, gases and corrosive substances.

The Liebert GXT3-5000RT208, Liebert GXT3-6000RT208 and the Liebert GXT3-6000RTL630 contain no user-serviceable parts except the internal battery pack. The Liebert GXT3-10000RT208 and the Liebert GXT3-8000RT208 contain no user-serviceable parts except the internal battery pack and the Power Module. The UPS On/Off push buttons do not electrically isolate internal parts. Under no circumstances attempt to gain access internally due to the risk of electric shock or burn.

Do not continue to use the UPS if the front panel indications are not in accordance with these operating instructions or the UPS performance alters in use. Refer all faults to your dealer.

Servicing of batteries should be performed or supervised by personnel knowledgeable of batteries and the required precautions. Keep unauthorized personnel away from the batteries. Keep unauthorized personnel away from the batteries. Proper disposal of batteries is required. Refer to your local laws and regulations for disposal requirements.

Never block or insert any object into the ventilation holes or other openings.

DO NOT CONNECT equipment that could overload the UPS or demand DC current from the UPS, for example: electric drills, vacuum cleaners, laser printers, hair dryers or any appliance using half-wave rectification.













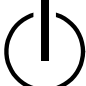
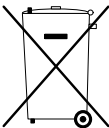
Storing magnetic media on top of the UPS may result in data loss or corruption.

Turn Off and isolate the UPS before cleaning it. Use only a soft cloth, never liquid or aerosol cleaners.

Information for the Protection of the Environment

UPS SERVICING—This UPS makes use of components dangerous for the environment (electronic cards, electronic components). The components removed must be taken to specialized collection and disposal centers.

GLOSSARY OF SYMBOLS

	Risk of electrical shock
	Indicates caution followed by important instructions
	AC input
	AC output
	Requests the user to consult the manual
	Indicates the unit contains a valve-regulated lead acid battery
	Recycle
	DC voltage
	Equipment grounding conductor
	Bonded to ground
	AC voltage
	ON/Alarm Silence/Manual Battery Test
	OFF/Bypass
	WEEE

1.0 INTRODUCTION

Congratulations on your choice of the Liebert GXT3 uninterruptible power system (UPS). The Liebert GXT3 comes in nominal power ratings of 5000VA, 6000VA, 8000VA and 10,000VA. It is designed to provide conditioned power to microcomputers and other sensitive electronic equipment.

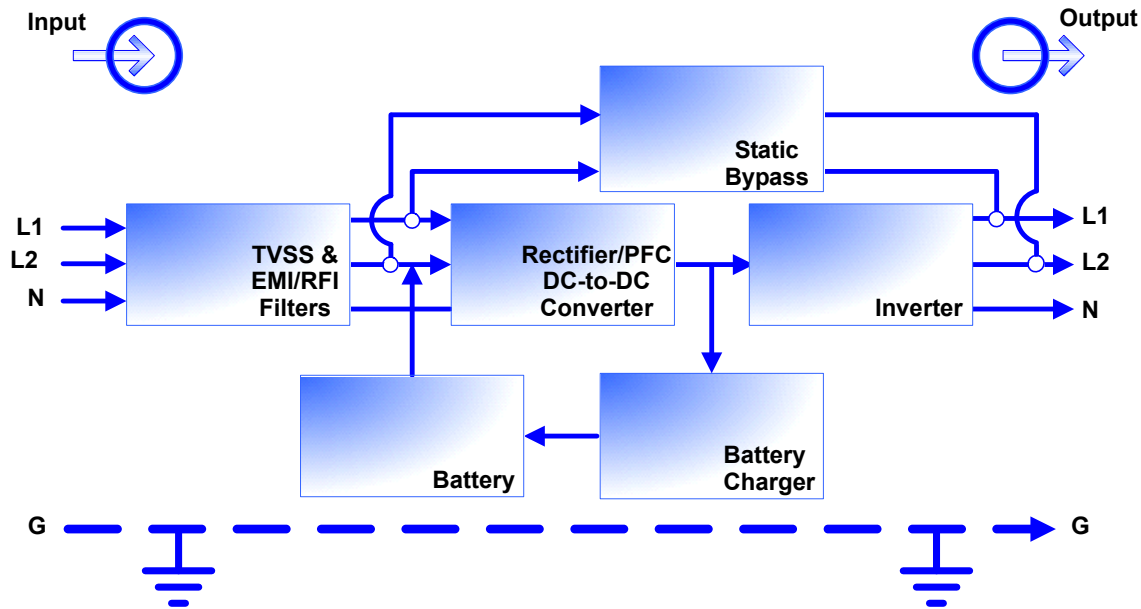
When it is generated, alternating current is clean and stable. However, during transmission and distribution it is subject to voltage sags, spikes and complete power failure that may interrupt computer operations, cause data loss and even damage equipment. The Liebert GXT3 protects equipment from these disturbances.

The Liebert GXT3 is a compact, on-line UPS. An on-line UPS continuously conditions and regulates its output voltage, whether utility power is present or not. It supplies connected equipment with clean, sinewave power. Sensitive electronic equipment operates best from sinewave power.

For ease of use, the Liebert GXT3 features a light-emitting diode (LED) display to indicate both load percentage and battery capacity. It also provides self-diagnostic tests, a combination ON/Alarm Silence/Manual Battery Test button, a Standby/Manual Bypass button and a configuration program.

The Liebert GXT3 has a Liebert IntelliSlot[®] port for communication between the UPS and a network server or other computer systems. This port provides detailed operating information including voltages, currents and alarm status to the host system when used in conjunction with Liebert MultiLink[®]. Liebert MultiLink can also remotely control UPS operation.

2.0 SYSTEM DESCRIPTION



2.1 Transient Voltage Surge Suppression (TVSS) and EMI/RFI Filters

These UPS components provide surge protection and filter both electromagnetic interference (EMI) and radio frequency interference (RFI). They minimize any surges or interference present in the utility line and keep the sensitive equipment protected.

2.2 Rectifier/Power Factor Correction (PFC) Circuit

In normal operation, the rectifier/power factor correction (PFC) circuit converts utility AC power to regulated DC power for use by the inverter while ensuring that the waveshape of the input current used by the UPS is near ideal. Extracting this sinewave input current achieves two objectives:

- The utility power is used as efficiently as possible by the UPS.
- The amount of distortion reflected on the utility is reduced.

This results in cleaner power being available to other devices in the building not being protected by the Liebert GXT3.

2.3 Inverter

In normal operation, the inverter utilizes the DC output of the power factor correction circuit and inverts it into precise, regulated sinewave AC power. Upon a utility power failure, the inverter receives its required energy from the battery through the DC-to-DC converter. In both modes of operation, the UPS inverter is on-line and continuously generating clean, precise, regulated AC output power.

2.4 Battery Charger

The battery charger utilizes energy from the utility power and precisely regulates it to continuously float charge the batteries. The batteries are being charged whenever the Liebert GXT3 is connected to utility power.

2.5 DC-to-DC Converter

The DC-to-DC converter utilizes energy from the battery system and raises the DC voltage to the optimum operating voltage for the inverter. This allows the inverter to operate continuously at its optimum efficiency and voltage, thus increasing reliability.

2.6 Battery

The Liebert GXT3 utilizes valve-regulated, nonspillable, lead acid batteries. To maintain battery design life, operate the UPS in an ambient temperature of 15°C to 25°C (59°F to 77°F). Optional external battery cabinets are available to extend battery run times. For run times, see **Table 14**.

2.7 Dynamic Bypass

The Liebert GXT3 provides an alternate path for utility power to the connected load in the unlikely event of a UPS malfunction. Should the UPS have an overload, overtemperature or any other UPS failure condition, the UPS automatically transfers the connected load to bypass. Bypass operation is indicated by an audible alarm and illuminated amber Bypass LED (other LEDs may be illuminated to indicate the diagnosed problem). To manually transfer the connected load from the inverter to bypass, press the Standby/Manual Bypass button once and hold it for about 2 seconds.



NOTE

The bypass power path does NOT protect the connected equipment from disturbances in the utility supply.

3.0 MAJOR COMPONENTS

The Liebert GXT3 is composed of three major assemblies to provide easier handling, installation and versatility.

3.1 Main Frame and Electronics

All models of the Liebert GXT3 are shipped without the internal batteries installed. Power distribution varies by model and rating.

- Liebert GXT3 5000 and 6000VA models ship with a basic hardwire distribution box attached and ready to be connected to the load (see **Figure 2**).
- Liebert GXT3RTL630 ships with a power distribution box attached (see **Figure 4**).
- Liebert GXT3 8000 and 10,000VA models with a cover plate installed over connections for any of several optional power distribution boxes (see **Figure 5**).

Figure 1 Liebert GXT3 front view—rack-mount and tower configurations

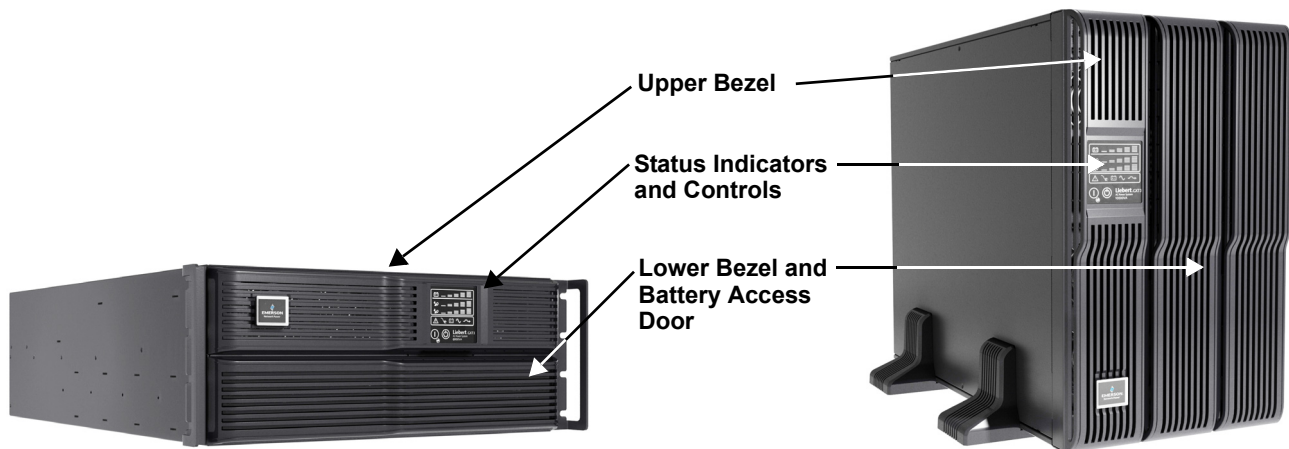


Figure 2 Liebert GXT3 5000VA and 6000VA rear view

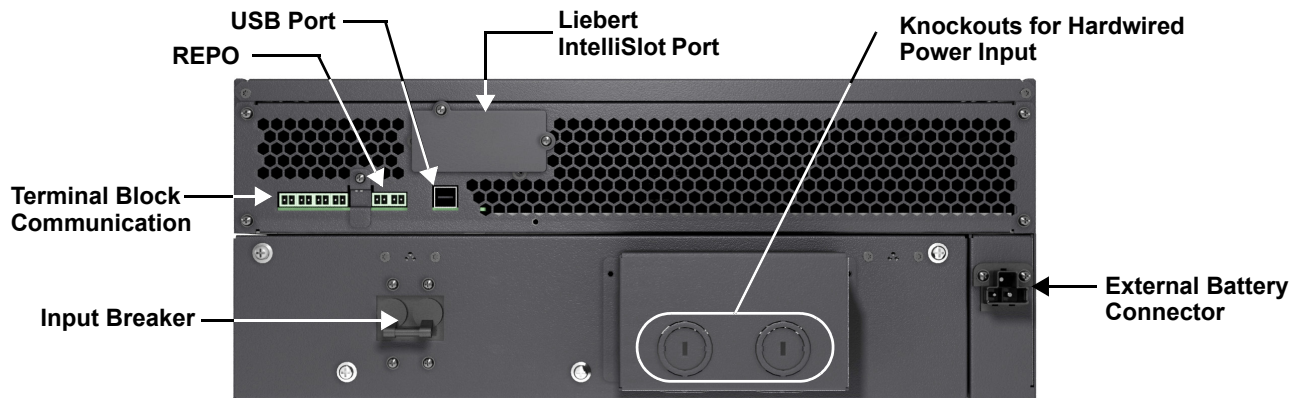
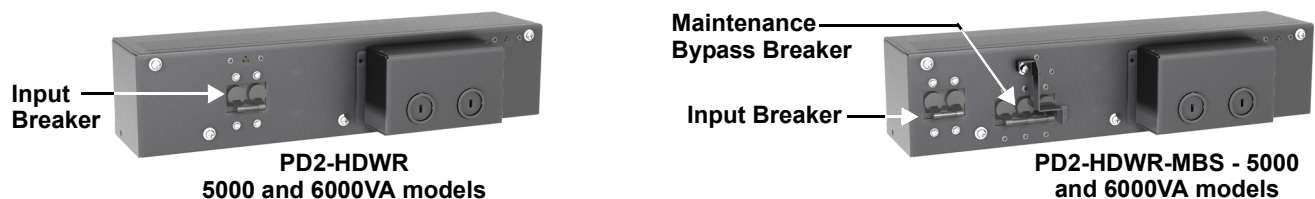


Figure 3 Input power hardwire boxes—5000 and 6000VA models



NOTE

*Hardwire and hardwire/receptacle boxes that include a manual bypass switch permit AC power to continue to flow from the utility input to the load while the box is removed from the UPS. For details, refer to **3.2 - Removable Power Distribution Box**.*

Figure 4 Liebert GXT3-6000RTL630, rear view

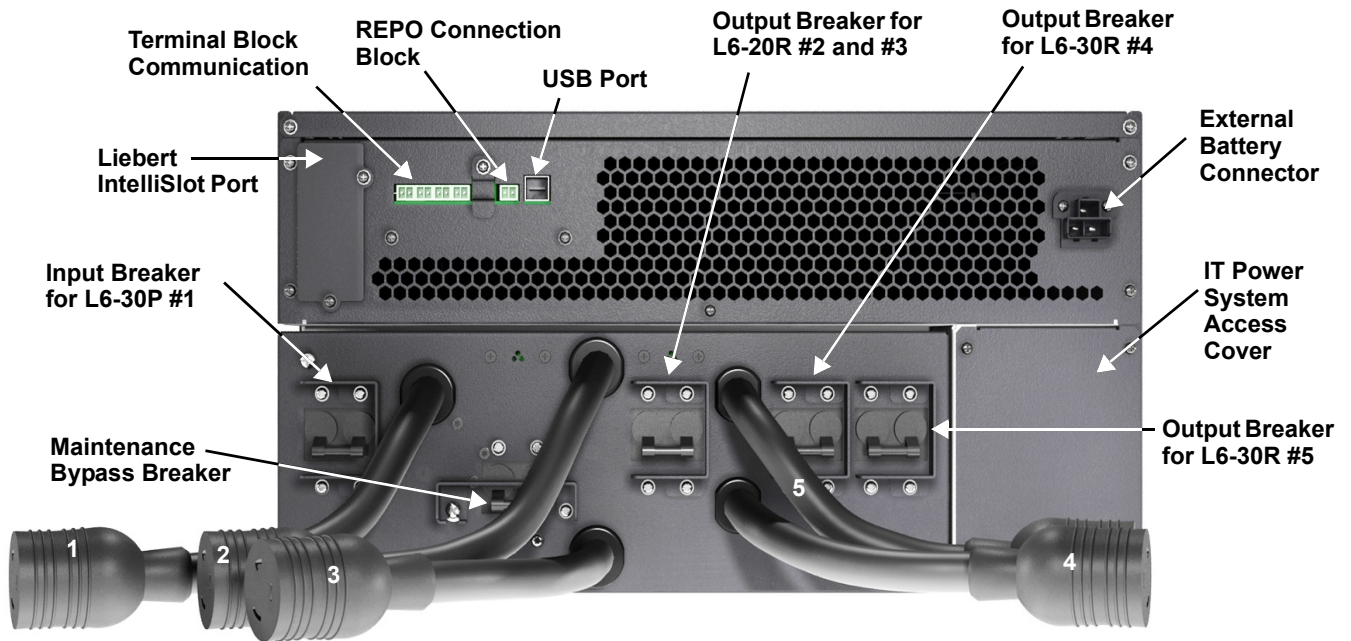
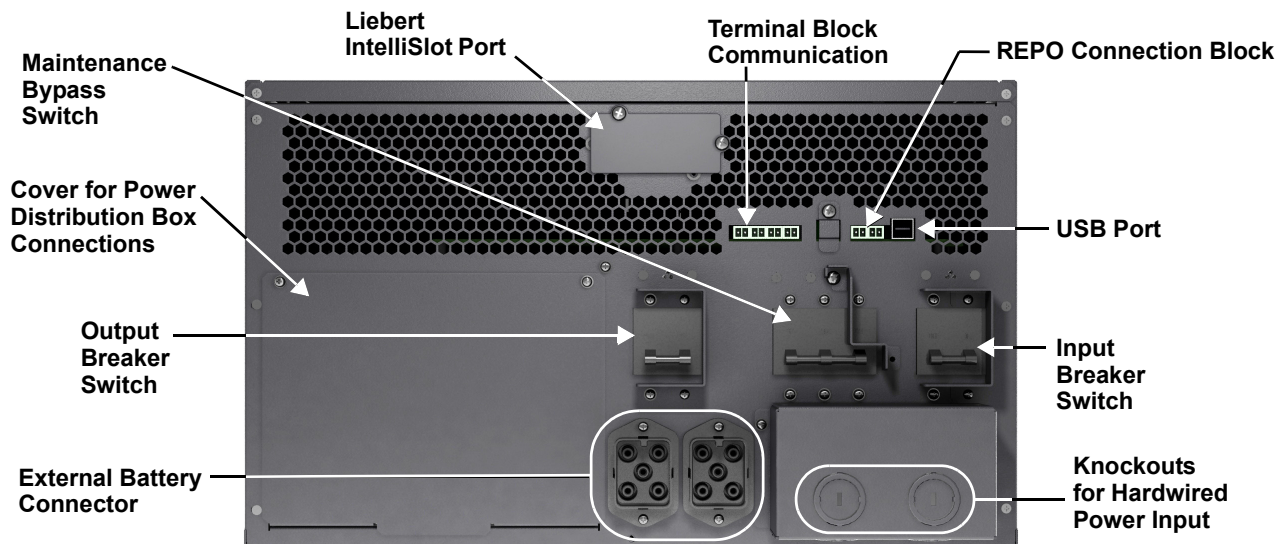


Figure 5 Liebert GXT3 8000VA and 10,000VA rear view



3.2 Removable Power Distribution Box

The UPS is shipped with a power distribution pack installed. This box contains the UPS input circuit breaker.

Figure 6 Power distribution models for 5000VA and 6000VA models of Liebert GXT3

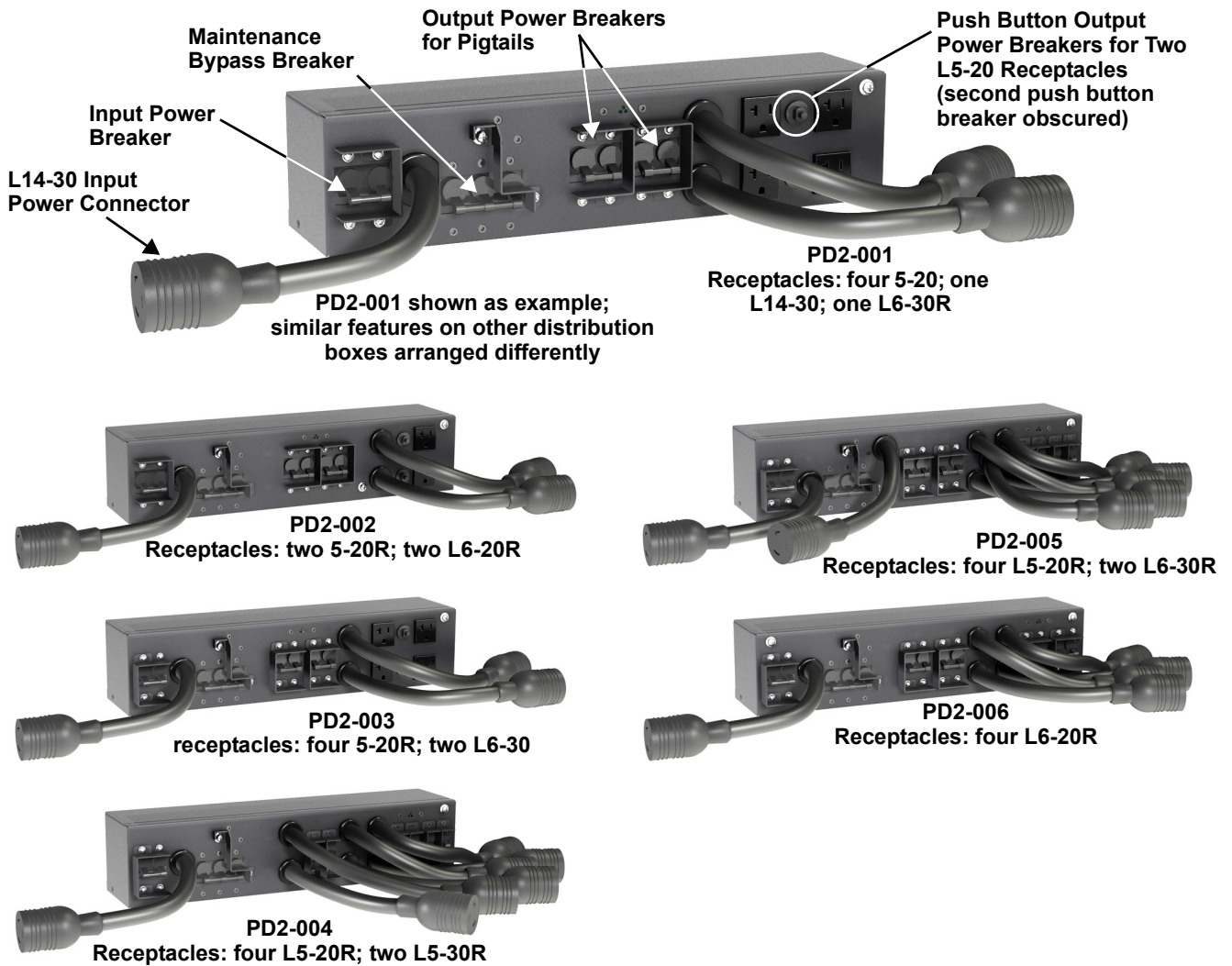
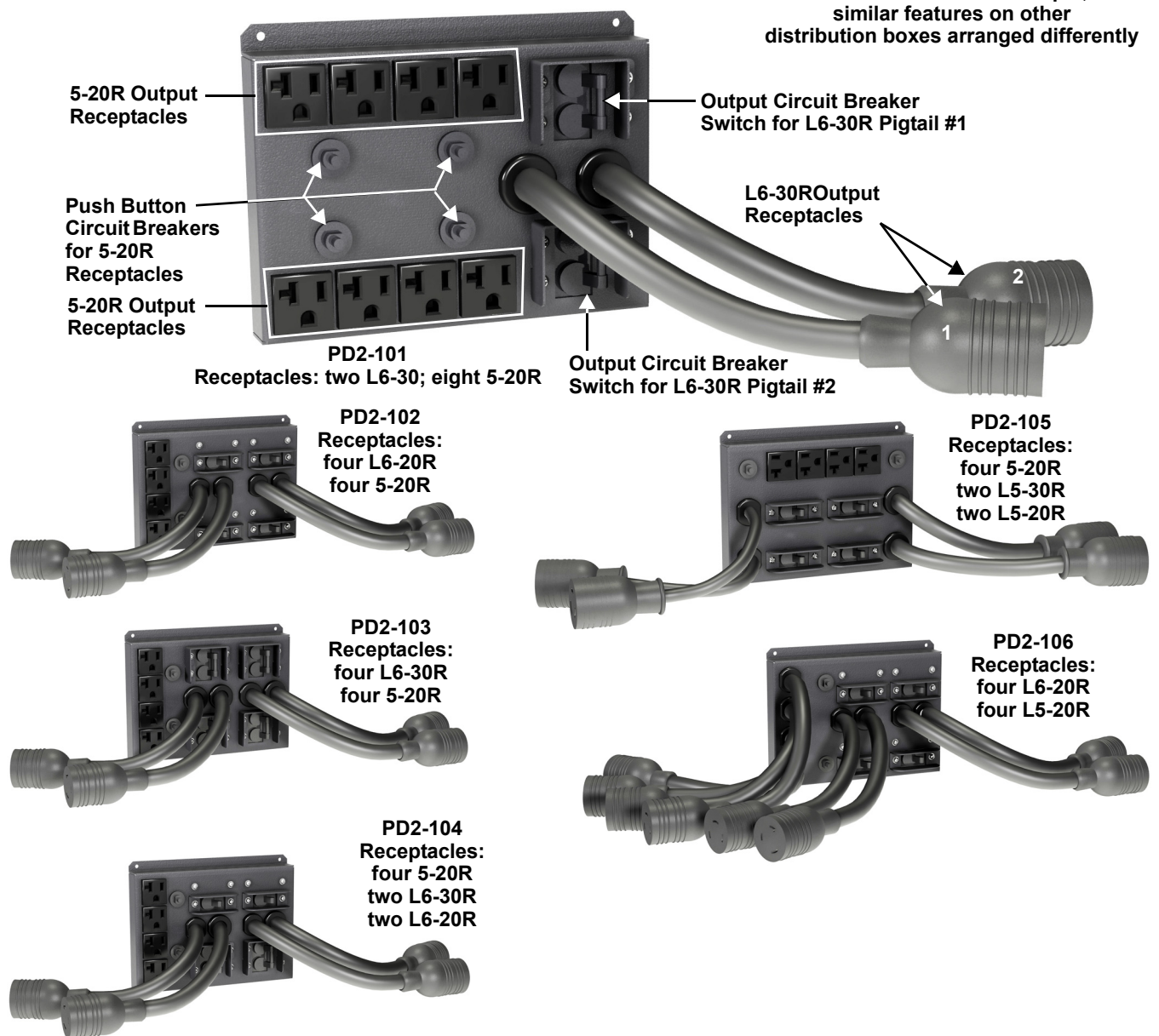


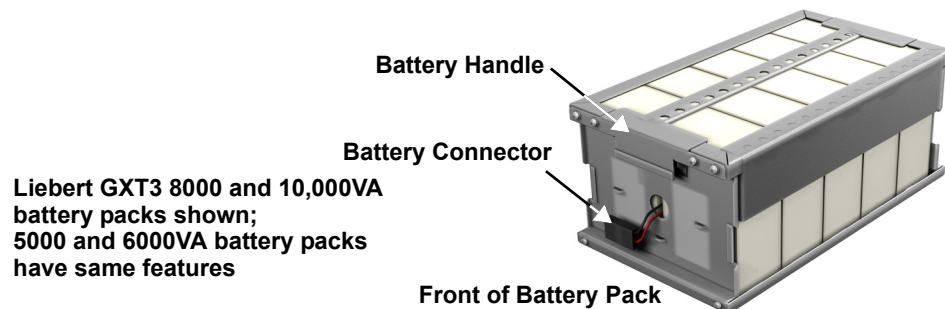
Figure 7 Power distribution models for 8000VA and 10,000VA models of Liebert GXT3



3.3 Internal Battery Packs

The UPS has two internal battery packs behind a battery access door on the front of the unit. Each internal battery pack is fitted with a connector to link to the UPS.

Figure 8 Internal battery pack features



4.0 WHAT'S INCLUDED

The Liebert GXT3 is shipped with the following items:

- Terminal Block Communication terminals
- Compact disc with:
 - Liebert MultiLink
 - Configuration program
 - User manual (electronic version)
- USB cable, one; 2m (6-1/2 ft.) long
- Rack handles with mounting hardware
- Power Distribution Box, installed on Liebert GXT3
- Plastic tower set, one
- Warnings, safety instructions booklet and WEEE recycling sheet (ISO 14001 compliance)



NOTE

The Liebert GXT3 External Battery Cabinet shipping package includes one battery cabinet, two spacers for the 5000 and 6000VA models and four spacers for the 8000 and 10000VA models for tower configuration and one DC power cable.

5.0 INSTALLATION AND CONFIGURATION

Do NOT attempt to start the UPS, turn on any circuit breaker or energize the input power until instructed to do so in **8.2 - Initial Startup and Electrical Checks**.

Visually inspect the UPS for shipping damage. Report any damage to the carrier and your local dealer or Emerson representative.

CAUTION

The UPS is heavy (see **12.0 - Specifications**). Take proper precautions when lifting or moving it.

Install the Liebert GXT3 indoors in a controlled environment, where it cannot be accidentally turned off. Place it where air flows unrestricted around the unit. The installation location must be free of water, flammable liquids, gases, corrosives and conductive contaminants. Maintain a minimum clearance of 100mm (4 inches) in the front and rear of the UPS. Maintain an ambient temperature range of 0 to 40°C (32 -104°F).



NOTE

UPS operation in sustained temperatures outside the range of 15-25°C (59°-77°F) reduces battery life.

5.1 Install the Main Cabinet

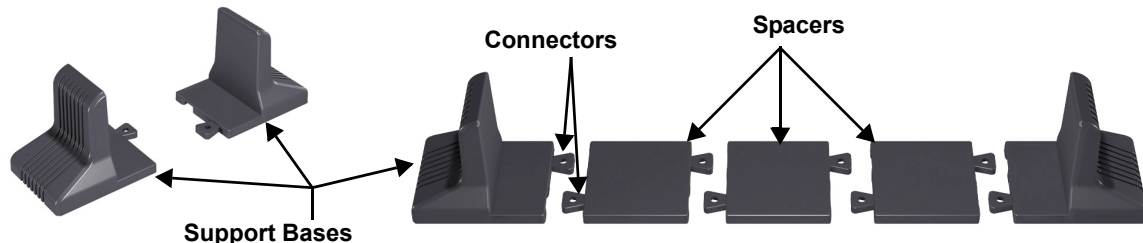
The Liebert GXT3 may be installed in either a tower configuration or in a rack, depending on available space and use considerations. Determine the type of installation and follow the appropriate instructions in either **5.1.1 - Tower UPS Installation** or **5.1.2 - Rack-Mount UPS Installation**.

5.1.1 Tower UPS Installation

To install the Liebert GXT3 as a tower:

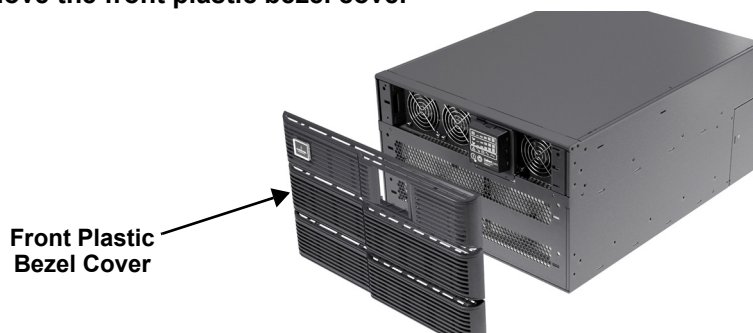
1. Take the support bases out of the accessories bag (see **Figure 9**).

Figure 9 Support bases



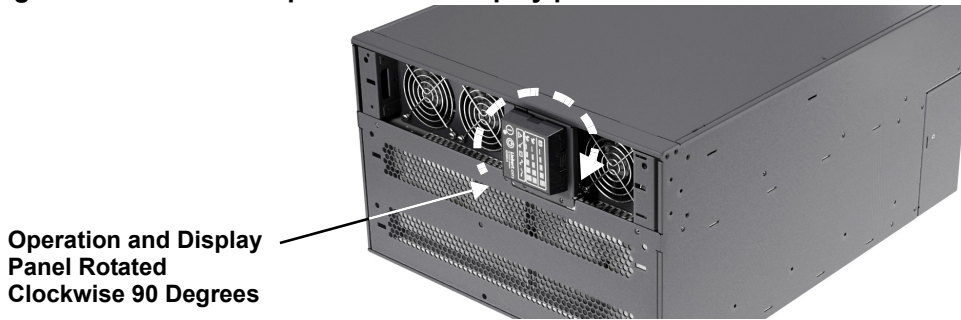
2. If optional Liebert external battery cabinets will be connected to the Liebert GXT3, take out the spacers shipped with the battery cabinet.
3. Connect the spacers and the support bases as shown in **Figure 9**. Each Liebert GXT3 needs two assembled support bases, one in the front and one in the rear.
4. Adjust the direction of the operation and display panel and logo on the Liebert GXT3.
 - a. Remove the front plastic bezel cover as shown in **Figure 10**.

Figure 10 Remove the front plastic bezel cover



- b. Pull the operation and display panel gently, rotate it 90 degrees clockwise and snap it back into position, as shown in **Figure 11**.

Figure 11 Rotate the operation and display panel



- c. Pull the logo on the front plastic bezel cover gently, rotate it 90 degrees clockwise and snap it back into position. The rotated front plastic bezel cover is shown in **Figure 11**.
 - d. Replace the front plastic bezel cover on the Liebert GXT3. At this point, the UPS operation and display panel and logo have been rotated 90 degrees clockwise, which provides upright viewing for users.
5. Place the Liebert GXT3 and any battery cabinets on the support bases. Each Liebert GXT3 needs two support assemblies, as shown in the lower half of **Figure 1**.

5.1.2 Rack-Mount UPS Installation

When using the Liebert GXT3 in a rack, the UPS must be supported by a slide kit, fixed rails or a shelf.

When using the optional Adjustable Rack Mount Kit, you will use the following instructions. The figures accompanying **5.1.3 - Installing the Adjustable Rack-Mount Kit—Sold Separately** shows the positioning of the rack-mounting brackets. Emerson recommends taking the internal batteries out of the UPS during rack installation. This will make the UPS cabinet lighter and easier to handle.



CAUTION

The Liebert GXT3 is heavy; see **12.0 - Specifications**. The UPS must be installed as near the bottom of a rack as possible. If placed too high, it can make the rack top-heavy and prone to tipping over.

5.1.3 Installing the Adjustable Rack-Mount Kit—Sold Separately

This kit contains parts needed to mount several different models of UPS and external battery cabinets into EIA310-D standard four-post racks that are 18-32" deep (457-813mm). The weight limit per pair of adjustable rack-mounting brackets is 91 kg (200lb).

Parts included are:

Item	Quantity
Rear bracket members	2
Front bracket members	2
Inner bracket members	2
M4 machine screws	16
M4 locking hex nuts	8
M5 machine screws	8

Tools needed for installation are:

- one Phillips screwdriver
- one 7mm wrench

The adjustable rack-mounting brackets (Part#: RMKIT18-32) feature retaining latches to prevent users from inadvertently sliding the UPS or battery cabinet out of the rack.

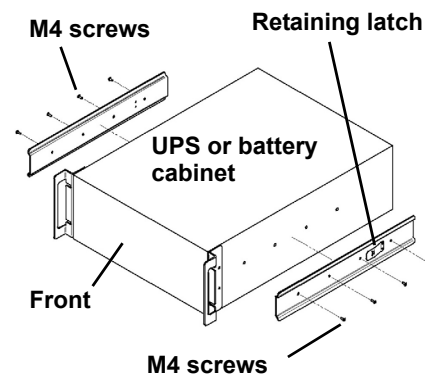
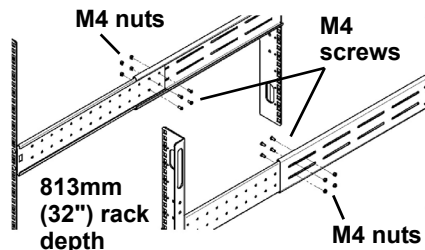
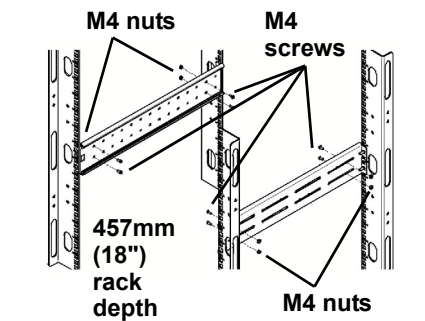
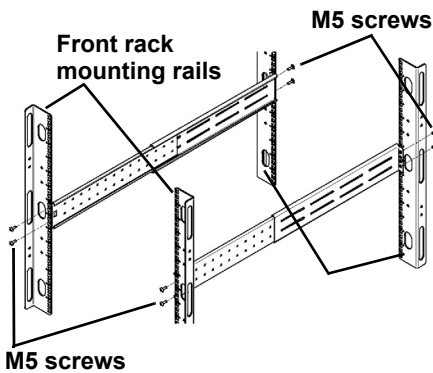
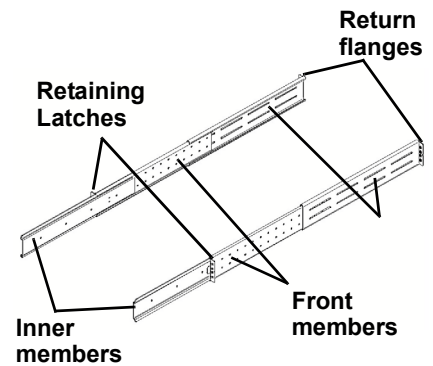
To install the rack mount brackets:

1. Unpack two rack-mounting bracket assemblies and mounting hardware from this kit. Bracket assemblies are interchangeable between left-hand or right-hand. Remove inner member of each bracket assembly as shown at right by extending it to its outermost position, depressing the retaining latch and then pulling the inner member out of the bracket assembly.
2. Determine the height position inside the rack enclosure where you want to mount the UPS or battery cabinet.

CAUTION

Reduce the risk of tipping the rack enclosure by placing the UPS or battery cabinet in the lowest possible rack position.

3. Install the rear member of each bracket assembly into the rack enclosure with two M5 screws provided in this kit (see figure at right). The return flanges on the bracket assembly fit to the inside of rack mounting rails. Insert screws loosely (finger-tight) into the top and bottom holes of the return flange on the rear member. Extend the bracket assembly by sliding the front member forward until it touches the front rack mounting rail. Insert two M5 screws loosely (finger-tight) into the top and bottom holes of the return flange on each front member. Make sure that the bracket assemblies are at the same mounting height on all four (4) rack mounting rails.
4. Get eight M4 screws and eight M4 nuts from the hardware pack in this kit. Each nut has a locking, nylon insert that begins gripping the screw when it is halfway tight. Make sure to tighten the nut and screw completely to ensure locking action. Fasten the rear member and the front member together using four screws and four nuts per bracket assembly as shown in at right. For maximum support, insert fasteners for each bracket assembly as far apart as possible, depending on rack depth, while still joining both members (see figures at right). Check alignment of bracket assemblies and **TIGHTEN ALL SCREWS FROM Steps 2 and 3.**
5. Prepare the UPS or battery cabinet (the “equipment”) for rack mounting by following instructions in the equipment’s user manual. The equipment may require additional parts to be added or parts to be removed for rack mounting. After it is prepared, lay the equipment in rack-mounting position. Fasten the inner members from **Step 1** to the equipment on both sides as shown at right with eight M4 screws provided in the kit. Make sure retaining latch is near the rear of the equipment as shown (see figure at right).



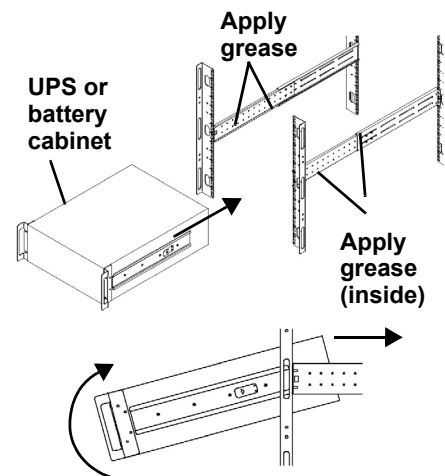
6. If available, apply a bead of grease 1" (25mm) long at four places inside the bottom, curved tracks of the front members as shown below right. The grease will allow the equipment to slide into the bracket assemblies more easily..



CAUTION

Lifting equipment into the rack may be a two-person job, depending on the weight of the equipment. Liebert recommends taking the internal batteries out of the UPS during rack installation. This will make the UPS cabinet lighter and easier to handle. The Liebert GXT3 weighs 151 lb. (67kg). For the weight of the UPS, see **Table 7**; for the battery cabinet's weight, see **Table 11**.

Factory-supplied rack handles are not intended to be used to lift the UPS. The handles are intended to be used to slide the UPS into and out of the rack.



Insert the UPS into the front members, lift the front and push it into the rack..

7. Insert the equipment, with inner members attached in **Step 5**, into the bracket assemblies by inserting the top and bottom edges of the inner members into the top and bottom curved tracks of the front members and sliding the equipment into the rack (see figure at right). Ends of inner members are tapered to allow the rear of the equipment to be angled upward before insertion, if space allows.

Then the rear, bottom edges of the inner members can be placed into the front edge of the bottom tracks and the front of the equipment can be tipped up so they are level to insert the top edges of the inner members before sliding the equipment into the rack (see figure above right). The equipment should move smoothly into the bracket assemblies. If it does not, recheck the alignment of the front and rear members from **Steps 2** and **3**.

8. Secure the front of the equipment to the rack mounting rails to prevent the equipment from sliding out of position. If securing holes are provided on the front of the equipment that align with the center holes on the return flange of the front members, you can use the four extra M5 screws provided in the kit to secure the equipment. Otherwise, the equipment should be secured to the front of the rack with four customer-supplied fasteners.

5.2 External Battery Cabinet Installation



WARNING

Risk of electric shock. Can cause injury or death.

Disconnect all local and remote electric power supplies before working within.

Ensure that the Liebert GXT3 is shut down and power has been disconnected before beginning any work on or in the unit.

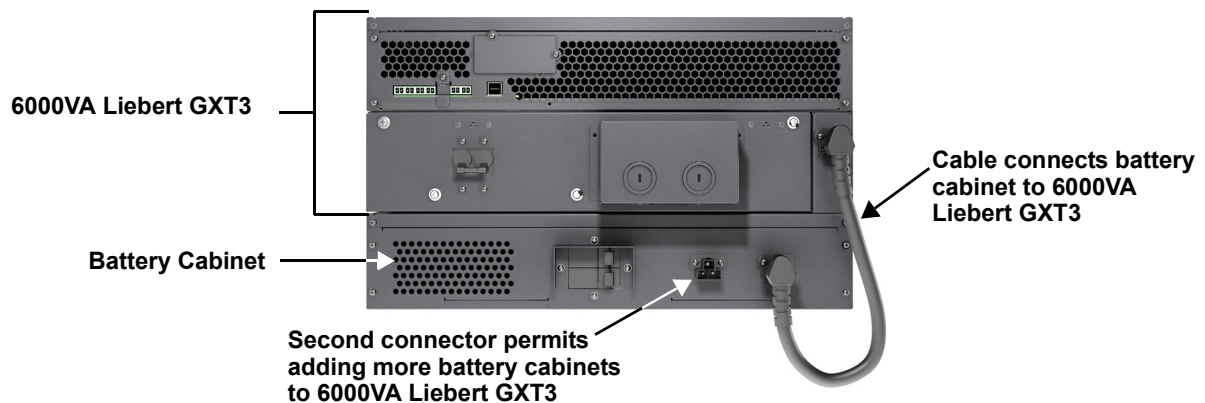


CAUTION

The external battery cabinet(s) are heavy (see **Table 11**). Take proper precautions when lifting them.

Optional Liebert external battery cabinets may be connected to the UPS to provide additional battery run time. External battery cabinets are designed to be placed on one side of the UPS in a tower configuration or stacked beneath the UPS in a rack configuration.

Figure 12 External battery cabinets connected to 6000VA Liebert GXT3



1. Inspect the external battery cabinet for freight damage. Report damage to the carrier and your local dealer or Emerson representative.
2. Optional rack-mount handles are shipped with the external battery cabinet and may be installed at this time if desired.
3. Securing hardware and slide rails are sold separately. Please contact your local dealer or Emerson representative for these additional options and any assistance needed. Fasten the slides into position with the screws per the instructions included with the slide rails.
4. Use the enclosed support bases for the tower option to prevent tip-over. One additional set of support base extensions ships with each external battery cabinet.
5. Put the UPS in Bypass Mode by pressing the bypass button on the front of the unit and holding it about 2 seconds.
6. Verify the External Battery Cabinet breaker is in the Off position.
7. Connect the supplied external battery cabinet cable to the rear of the external battery cabinet, then to the rear of the UPS.
8. Turn the External Battery Cabinet breaker to the On position.
9. Press the On button on the front of the UPS for 4 seconds to return the unit to Inverter Mode.
10. Verify the circuit breaker on the External Battery Cabinet is in the On position.
11. Use the included configuration program to program the UPS for the number of external battery cabinets connected. Instructions for the configuration program are in **6.0 - Configuration Program**.
12. The UPS is now equipped with additional backup battery run time. For approximate battery run times, refer to **Table 14**.



NOTE

When removing the External Battery Cabinet, the circuit breaker on the rear of the cabinet must be turned off before disconnecting the cable.

**NOTE**

If the UPS is to be shipped or stored for an extended time, the connector should be disconnected. This will minimize any standby current drain on the batteries and help attain their design life.

5.3 Connect Input/Output Power

**WARNING**

Risk of electric shock. Can cause injury or death.

Disconnect all local and remote electric power supplies before working within. Ensure that the Liebert GXT3 is shut down and power has been disconnected before beginning any work on or in the unit.

The Liebert GXT3-5000RT208, Liebert GXT3-6000RT208 and Liebert GXT3-6000RTL630 are shipped with a power distribution box attached. The Liebert GXT3-8000RT208 and Liebert GXT3-10000RT208 are shipped with a cover plate over the power distribution connector.

Follow the instructions below for removal and installation.

**NOTE**

Do not operate the UPS with the power distribution box removed. To shut off all power to this box and to the load, utility input power must be disconnected.

5.3.1 Remove the Power Distribution Box from 5000 and 6000VA Models

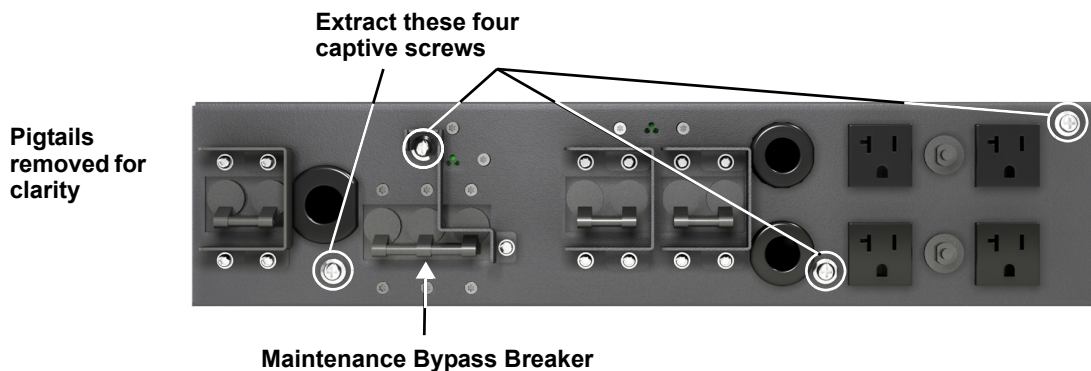
1. Put the Liebert GXT3 in maintenance bypass by pressing the Standby/Manual Bypass button while the UPS is in Utility (AC) Mode and holding the button for about 2 seconds. (For help, refer to 8.4 - **Put the Liebert GXT3 in Manual Bypass.**)
2. Loosen the captive screw over the maintenance bypass breaker (see **Figure 13** for the breaker's location).
3. Turn the maintenance bypass breaker On.

NOTICE

The load is unprotected from disturbances in the power supply while the UPS is on bypass.

4. Turn the output and input breakers Off.
5. Loosen other captive screws until the power distribution box releases.
6. Remove the power distribution box from the UPS and set it aside.
7. Loosen the screws over the plastic cover for the connector on the rear of the panel.
8. Slide the plastic cover over the connector and tighten the screws.

Figure 13 Power distribution box removal from 5000 and 6000VA models



5.3.2 Remove the Power Distribution Cover from 8000 and 10,000VA Models

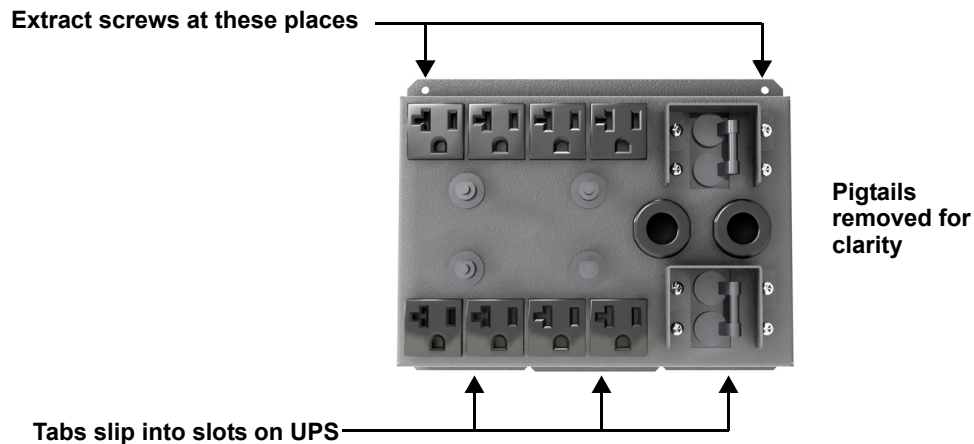
1. Shut down the Liebert GXT3 by pressing the Standby/Manual Bypass button twice while the UPS is in Bypass Mode, each time holding the button down for about 2 seconds. (For help, refer to **8.5 - Shut Down the Liebert GXT3.**)
2. Loosen the captive screw over the maintenance bypass breaker (see **Figure 5** for the breaker's location).
3. Turn the maintenance bypass breaker On.

NOTICE

The load is unprotected from disturbances in the power supply while the UPS is on bypass.

4. Turn the output and input breakers Off.
5. Support the power distribution box and remove the two screws at the top of the box.
6. Remove the cover or power distribution box from the UPS and set it aside.
7. If removing a power distribution box, carefully pull apart the power distribution box connector and the UPS connector.

Figure 14 Power distribution box removal from 8000 and 10,000VA models



5.3.3 Install the Power Distribution Box on 5000 and 6000VA Models

1. Align the connectors and press the power distribution box onto the UPS.
2. Hold the box firmly against the UPS and tighten the captive screws except the one over the maintenance bypass breaker.
3. Turn the output and input breakers On.
4. Start the UPS according to startup instructions.
5. Verify that the UPS lamp is illuminated.
6. Turn the maintenance bypass breaker Off.
7. Insert the maintenance bypass cover behind the captive screw and tighten the screw.



NOTE

The maintenance bypass breaker cover must be installed behind the captive screw and the screw must be tightened for the UPS to operate in inverter mode.

5.3.4 Install the Power Distribution Box on 8000 and 10,000VA Models

1. With the cover or distribution box removed, press the UPS and distribution box connectors together. Ensure that the connectors are fully seated.
2. Align the screw holes and press the power distribution box onto the UPS, making sure that the tabs at the bottom of the box fit into the slots on the UPS.
3. Attach the box to the UPS by installing screws into the two holes at the top of the box.
4. Tighten the screws.
5. Turn the output and input breakers On.
6. Start the UPS according to startup instructions.
7. Verify that the UPS lamp is illuminated.

5.3.5 Distribution Box Electrical Connections

Electrical connections are made through a removable power distribution box that attaches to the rear of the UPS.

- PD2-HDWR, PD2-HDWR-MBS, PD2-001, PD2-002, PD2-003, PD2-004, PD2-005 and PD2-006 models fit the 5000 and 6000VA models of the Liebert GXT3
- PD2-L630 fits the GXT3-6000RTL630
- PD2-101, PD2-102, PD2-103, PD2-104, PD2-105 and PD2-106 models fit the 8000 and 10,000VA models of the Liebert GXT3

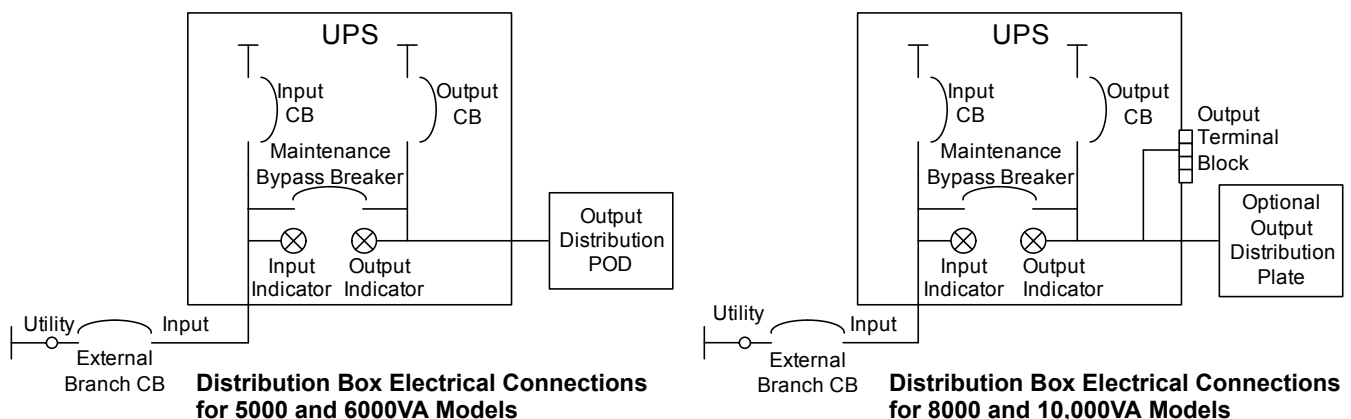
The installer must provide an upstream branch circuit breaker. The input circuit breaker on the distribution box and the output circuit breaker on the rear of the power distribution box disconnect all power between the main cabinet and the distribution box.

Models equipped with a manual bypass breaker pass bypass power directly to the bypass breaker from the input terminal block. The input circuit breaker on the distribution box does not disconnect power from the manual bypass breaker.

Table 1 Branch circuit breaker ratings

Unit Rating	Maximum Breaker Rating
5000VA	D Type 30A Long Delay
6000VA	
8000VA	D Type 60A Long Delay
10,000VA	

Figure 15 Distribution box electrical connections diagram



Terminal Block Connections

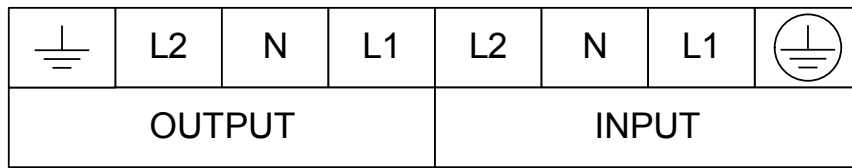
Conduit entry holes are provided on the rear and side of the box. Input and output wiring should not share the same conduit. Emerson recommends using strain relief when installing the wire.

Table 2 Electrical specifications

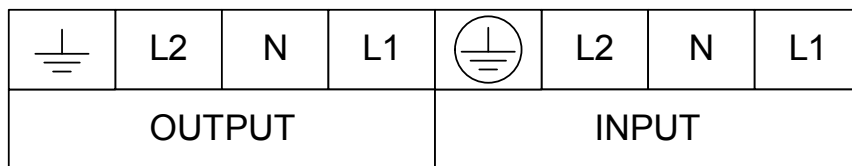
UPS Model	Recommended (Maximum) External Overcurrent Protection	Recommended Wire (Including ground wire) (75°C copper wire)	Maximum Wire Accepted by Terminal Block	Terminal Tightening Torque
GXT3-5000RT208 GXT3-6000RT208 GXT3-6000RTL630	30A	10AWG (4mm ²)	8AWG (6mm ²)	20 in-lb (2.26 Nm)
GXT3-8000RT208 GXT3-10000RT208	60A	6AWG (10mm ²)	4AWG (16mm ²)	

Figure 16 Terminal block connections

Liebert GXT3-5000 and 6000RT208



Liebert GXT3-8000 and 10,000RT208



NOTE

1. Emerson recommends installing a UL489-approved breaker upstream of unit.
2. The installer must provide circuit breaker protection according to local codes. The utility disconnect should be within sight of the UPS or have appropriate an appropriate lock-out. Maintain service space around the UPS or use flexible conduit.
3. The installer must provide output distribution panels, circuit breaker protection or emergency disconnects according to local codes. Output circuits must not share a common conduit with any other wiring.

5.4 IT Power System Configuration—Liebert GXT3-6000RTL630 Only



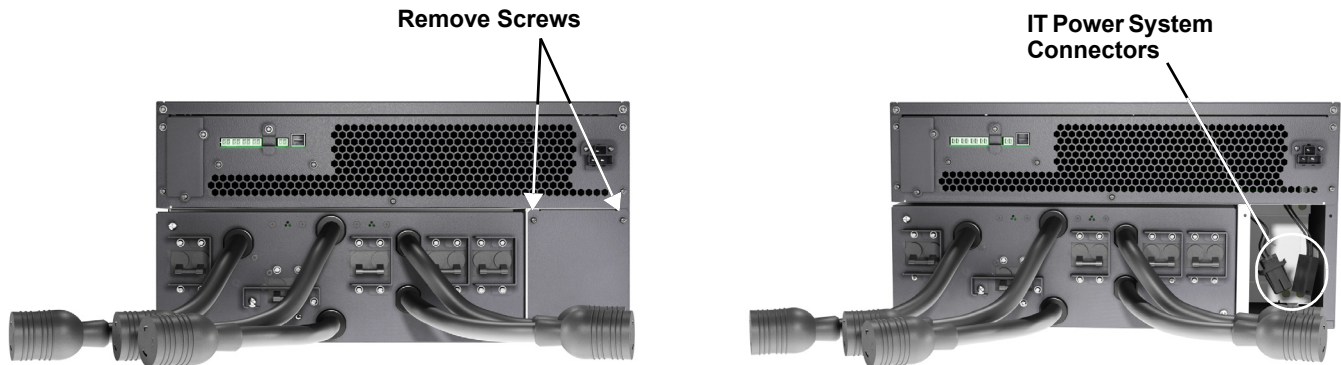
WARNING

Risk of electric shock. Can cause injury or death.

Disconnect all local and remote electric power supplies before working within. Ensure that the Liebert GXT3 is shut down and power has been disconnected before beginning any work on or in the unit.

1. Remove screws on the IT Power System Access Cover as shown in **Figure 17**.
2. Disconnect the connectors as shown in figure.
3. Reinstall IT Power System Access Cover and screws.

Figure 17 Remove cover from IT Power System Connectors compartment



6.0 CONFIGURATION PROGRAM

The final step of installation may require custom configuration of your UPS using the enclosed configuration program. Some configuration settings may be changed only while the UPS is off. These should be set before the UPS is put into full-time service powering the critical load.

For most users operating with 230VAC and with no external batteries, the factory default settings will be adequate.

6.1 Configuration Program Features

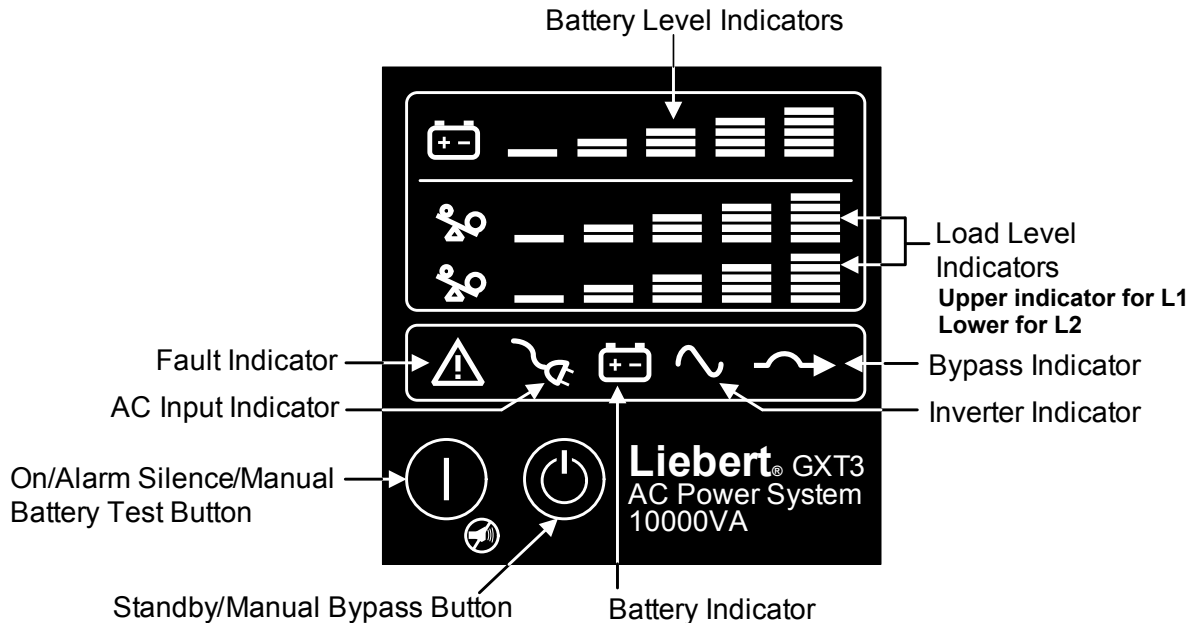
- Select L-N output voltages to match local voltages.
- Enable/Disable Auto-Restart.
- Select frequency converter operation with a fixed output frequency of 50 or 60 Hz.
- Set the Low Battery Warning alarm time from 2 to 30 minutes.
- Enable/Disable the Auto-Battery test.
- Set the Auto-Battery test to 7, 14, 21 or 28 days.
- Specify the number of external battery cabinets connected to the UPS to adjust the remaining run time calculations reported by Liebert software products.
- Modify the shutdown setting of the terminal block (for information on pin assignments, see **Table 2**).

6.1.1 What You Will Need

In addition to the Liebert GXT3 UPS, you will need the configuration program CD and USB cable included in the UPS accessory box. A Windows 95® or later computer, desktop or laptop, is also required to set up and run the configuration program.

7.0 CONTROLS AND INDICATORS

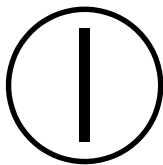
Figure 18 Liebert GXT3 control panel



7.1 ON/Alarm Silence/Manual Battery Test Button

This button controls output power to connected load(s) and has three functions:

- ON
- Alarm Silence
- Manual Battery Test



ON - Pressing this button for four seconds will start the UPS.

Alarm Silence - To silence alarms, press this button for at least one second. After the alarm is silenced, the Liebert GXT3 will reactivate the alarm system to alert of additional problems.



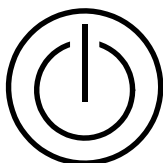
NOTE

The LOW BATTERY and BYPASS reminder alarms CANNOT be silenced.

Manual Battery Test - To initiate a manual battery test, press the ON button for at least one second while operating from utility power with no alarm conditions present.

- If only three of the five Battery LEDs illuminate, allow the UPS to recharge the batteries for 24 hours.
- After 24 hours, retest the batteries.
- After the batteries have been retested, if only three of the five Battery LEDs illuminate, contact your local dealer, Emerson representative or Emerson Channel Support.

7.2 Standby/Manual Bypass Button



This button controls output power to connected load(s) and has dual functions: Standby and Manual Bypass.

NOTICE

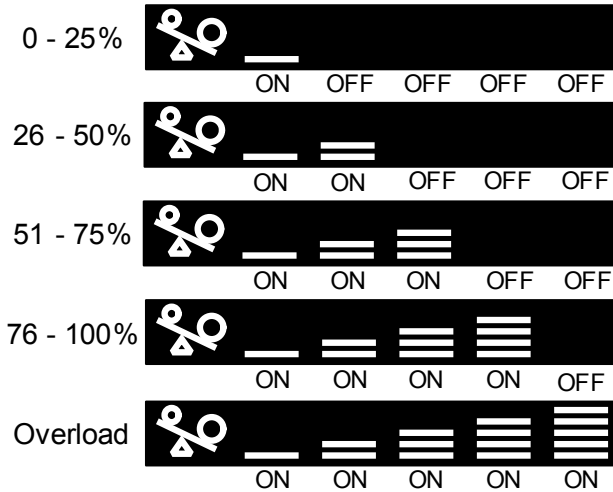
Pressing the Standby/Manual Bypass button once will transfer the load to bypass power and the load will be unprotected from disturbances in utility supply. Pressing the Standby/Manual Bypass button twice within 4 seconds while on Bypass will cut off power to the output sockets and connected loads. Perform all necessary shutdown procedures on connected loads before pressing this button twice.

7.3 Load Level Indicators (4 Green, 1 Amber)

The load level indicator is composed of five sets of LED bars that illuminate to indicate the relative load on the UPS output in 25% increments ($\pm 5\%$). The load level indicator will illuminate as shown in **Figure 19**.

The load level indicators display the approximate electrical load placed upon the UPS at all times.

Figure 19 Load level indicators



The Liebert GXT3 has load level indicators for Line 1 and for Line 2. One set of indicators shown for clarity.

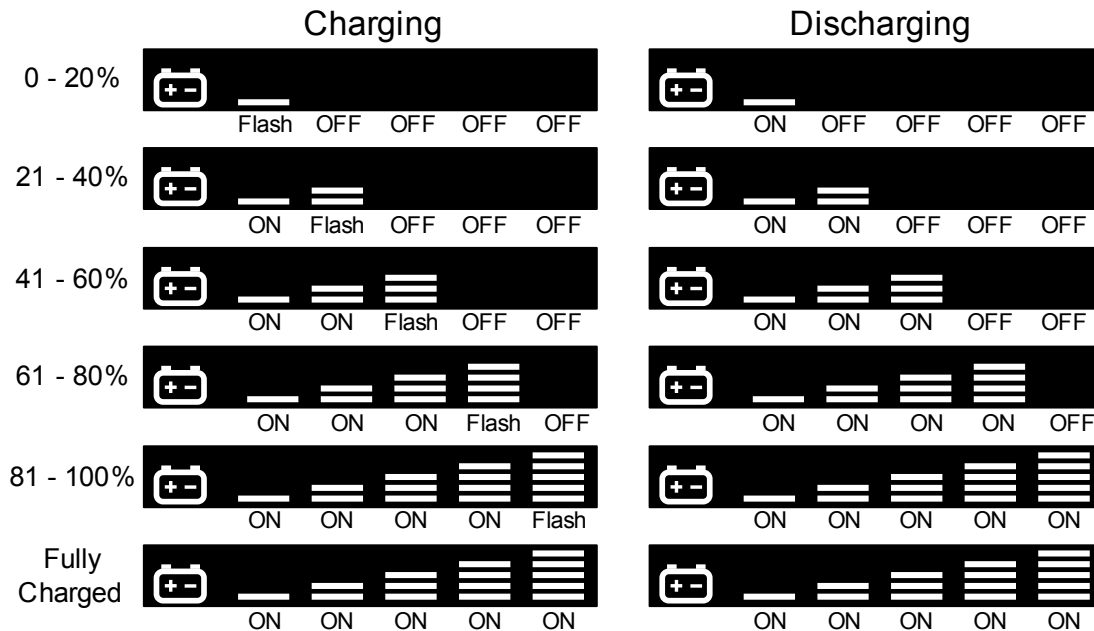
7.4 Battery Level Indicators (5 Green)

The battery level indicator is composed of five sets of LED bars that illuminate and flash to indicate the battery capacity level. The Liebert GXT3 battery capacity level is shown in 20% increments ($\pm 5\%$). The battery level indicators will illuminate as shown in **Figure 20**.

The battery level indicators display approximate battery capacity at all times.

The Liebert GXT3 is equipped with automatic and remote battery test features. The default setting is for the automatic test to occur every 14 days (this option is user-configurable) if utility power has not been interrupted. Should the battery fail this test, the red Fault indicator LED along with the A and C diagnostic LEDs will illuminate and an alarm will sound (refer to **11.0 - Troubleshooting**). The remote test feature functions with Liebert MultiLink and can remotely initiate the battery test.






Figure 20 Battery level indicators



7.5 UPS Status Indicators

UPS status is indicated by five symbols: fault indicator, AC input indicator, battery indicator, inverter indicator and bypass indicator. **Table 3** shows the symbols and their meanings.

Table 3 UPS status indicators

UPS Status Indicator	Icon	Color	Description
Fault Indicator		Red	On if the UPS has detected a fault; Off if there is no fault
AC input Indicator		Green	On when the utility input power is normal; Off during utility failure; flashing when utility power is outside specifications
Battery Indicator		Amber	On when the battery is supplying power; Off when the battery is not supplying power
Inverter Indicator		Green	On when the inverter is supplying power; Off when the inverter is not supplying power
Bypass Indicator		Amber	On when the bypass is supplying power; Off when the bypass is not supplying power; flashing when utility power is outside specifications

8.0 OPERATION

This section describes checks to be made before starting the UPS, how to start the UPS, manual battery test, manual bypass, shutting down the UPS and disconnecting the utility power from the UPS.



NOTE

The Liebert GXT3's battery has been fully charged before delivery, but some charge will be lost during storage and shipping. To ensure that the battery has adequate reserve power to protect the connected load, charge the battery for three hours before putting the UPS into service.

8.1 Startup Checklist for the Liebert GXT3

Before starting the UPS, perform these checks:

- ___ 1. Check that the input plugs and loads are connected properly and reliably.
- ___ 2. Check that the battery cable is connected properly.
- ___ 3. Check that the communication cables are connected properly.

8.2 Initial Startup and Electrical Checks

1. Verify that the Input/Output circuit breakers are off.
2. During initial system checks, disconnect all loads (open load disconnects).
3. Inspect all wiring, cables and connection.
4. If external battery cabinets are used, verify that the battery interconnect cables are fully inserted in the sockets.
5. Place the manual bypass breaker in BYPASS position.
6. Turn on the branch circuit disconnect to apply voltage to the input terminal block.
7. Using a voltmeter, verify the expected L1-N (L2) voltage.
Verify that the same voltages appear at the Output terminals. The Bypass lamp by the switch will light.
8. After verifying proper input voltage to the UPS terminal block, turn off the branch circuit power, close all access panels to the distribution box and reapply input power.
9. Close the Input circuit breaker located on the distribution box. The green AC INPUT lamp should illuminate on the front panel.
10. Press the ON button and hold it for four seconds. After several seconds, the UPS ON lamp will turn on continuously. If the batteries are determined to be charged above 80%, an automatic battery test will run for about 15 seconds.
11. Close the Output circuit breaker on the rear of the power distribution box. The light by the input breaker will illuminate.
12. Return the breaker to the Inverter position. The output terminal block will be powered at this time.
13. Connect all loads for normal operation.

8.3 Manual Battery Test

To initiate a manual battery test, press the On/Alarm Silence/Manual Battery Test button for at least half a second while the UPS is operating from utility power with no alarm conditions present.

- If only the first two of the five LED segments illuminate, allow the UPS to recharge the batteries for 24 hours.
- Retest the batteries after 24 hours of charging.
- After the batteries have been retested, if only two of the five Battery LEDs illuminate, contact your local Emerson representative or Emerson Network Power Channel Support.
- If none of the five Battery LEDs illuminate during a manual battery test, check the battery connection and allow the UPS to recharge the batteries for 1 hour, then initiate a manual battery test again.
- If none of the five Battery LEDs illuminate during the second manual battery test, replace batteries and contact your local Emerson representative or Emerson Channel Support.

8.4 Put the Liebert GXT3 in Manual Bypass

Press the Standby/Manual Bypass button and hold it for about 2 seconds while the UPS is in Utility (AC) Mode. The UPS will transfer the connected loads to the internal bypass. If the internal bypass is not available because of utility power problems, pressing this button once will be ignored. Bypass operation is indicated by an audible alarm and illuminated amber Bypass indicator. (If other indicators are illuminated, refer to **11.0 - Troubleshooting**.)

8.5 Shut Down the Liebert GXT3

1. Transfer the UPS to manual bypass by pressing the Standby/Manual Bypass button and holding it for about 2 seconds.

If manual bypass is not available, disregard the first step.

2. Press the Standby/Manual Bypass button twice within four seconds, each time holding it for about two seconds.

Power to the connected loads is now Off.

8.6 Disconnecting Input Power from the Liebert GXT3

1. After the UPS has been shut down as detailed in **8.5 - Shut Down the Liebert GXT3**, turn off the Output Circuit Breaker.
2. Wait 30 seconds and verify that all indicators have turned Off and the fan has stopped; this indicates that the power-off is complete.
3. Turn the external battery cabinet breaker switch to the Off position if the UPS has an external battery cabinet.

After powering off the UPS, the UPS ceases output and the load is powered Off.

8.7 Maintenance Bypass

Maintenance Bypass Mode is used when maintenance or replacement is required. To place the unit in Maintenance Bypass:

1. Place the UPS on internal bypass. This may be done by either of the following methods:
 - a. Press the Off button on the front panel one time.
 - b. Slide the bracket away from the manual bypass breaker on the rear of the UPS. This requires loosening the captive screw and sliding the bracket up and away from the Manual Bypass breaker.
2. Move the Manual Bypass breaker on the rear of the UPS to the bypass position. This requires loosening the captive screw and sliding the bracket up and away from the Manual Bypass breaker.

9.0 COMMUNICATION

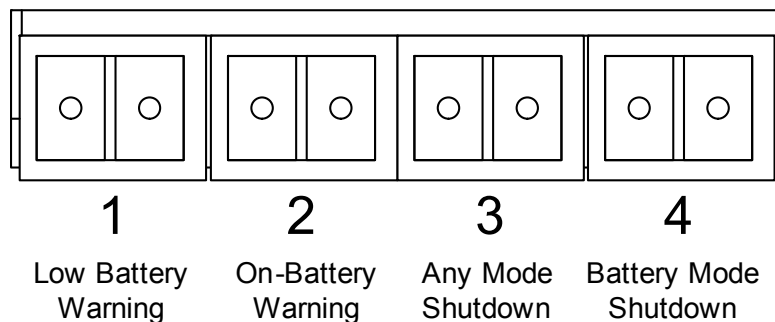
9.1 Communication Interface Port

The Liebert GXT3 UPS has a terminal block on the rear of the UPS unit. Several signals are provided on this port and are assigned as follows.

9.2 Terminal Block

The terminal block includes eight pins, as shown in **Figure 21**.

Figure 21 Terminal block communication pin layout



9.2.1 Any-Mode Shutdown

The purpose of Any Mode Shutdown is to shut down the UPS output by turning Off the rectifier, inverter and static switch so that there is no power to the loads.

Any Mode Shutdown can be operated locally or remotely:

- Local Any Mode Shutdown can be performed by shorting the pins in Set 3.
- Remote Any Mode Shutdown can be performed using a switch connected to the pins in Set 3 and mounted at a remote location.

Activation of the Any Mode Shutdown will be logged as an event in the event history log.



NOTE

Remote Power Off will be performed either by NO or NC contact of Any Mode Shutdown.

The current limited source for the optocoupler (+12VDC, 50mA) will be available from UPS.

The connection to UPS for remote connection will be via terminal block connector.

Any Mode Shutdown wiring must conform to all national, regional and local wiring codes and laws.



WARNING

When the Auto-enable output option is selected and the UPS output is disabled using the pins in Set 3, the Liebert GXT3's output can turn On automatically and without warning if the connection of the pins in Set 3 is changed.

9.2.2 Battery Mode Shutdown

Battery Mode Shutdown permits shutting down the UPS by turning off the rectifier, inverter and static switch so that there is no power to the load when the UPS is On Battery. The auxiliary power for the UPS will still be active.

Battery Mode Shutdown can be performed locally or remotely:

- Local Battery Mode shutdown can be performed by shorting the pins in Set 4.
- Remote Battery Mode Shutdown can be performed using a switch connected to the pins in Set 4 and mounted at remote location.

Activation of the Battery Mode Shutdown will be logged as an event in the event history log.

**NOTE**

Remote Power Off will be performed by NO contact.

The current limited source for the optocoupler (+12VDC, 50mA) will be available from UPS.

The connection to the Liebert GXT3 for remote connection will be via terminal block connector.

Battery Mode Shutdown wiring must conform to all national, regional and local wiring codes and laws.

This signal must last for 1.5 seconds or longer.

A battery shutdown signal will not cause an immediate shutdown. It will start a 2-minute shutdown timer. This timer cannot be stopped once triggered. If the utility power returns during this countdown, the Liebert GXT3 will still shut down and must remain shut down for 10 seconds. Whether the UPS turns back On when the power is restored depends on the auto-restart setting.

9.2.3 On Battery

On Battery signal is a Normally Open (NO) dry contact. When the UPS is supplying output power from the battery this dry contact will be closed.

9.2.4 Low Battery

Low Battery signal is a Normally Open (NO) dry contact. When the UPS is supplying output power from the battery and has reached the Low Battery Warning time selected in the configuration program, this dry contact will be closed.

**NOTE**

The rated values for the dry contacts for the On Battery and Low Battery signals are:

- *Rated Voltage: 5V*
- *Working Voltage Range: 4.5-10V*
- *Rated Current: 30ma*

9.3 UPS IntelliSlot Communication Cards

The Liebert IntelliSlot port accepts three optional cards:

- Liebert IntelliSlot SNMP Card
- Liebert IntelliSlot Relay Card
- Liebert IntelliSlot 485 Card.

The Liebert IntelliSlot SNMP Card provides SNMP monitoring and control of the UPS across the network.

The Liebert IntelliSlot Relay Card provides dry contact relay outputs for custom-wired applications and delivers support for built-in shutdown for AS/400 systems.

The Liebert IntelliSlot 485 Card is used to connect the UPS and computer system.

Follow instructions provided with the Liebert IntelliSlot card to configure Liebert MultiLink, the UPS or any additional ancillary product for the Liebert GXT3. These instructions are available at

multilink.liebert.com

9.3.1 Liebert MultiLink

Liebert MultiLink monitors the UPS continuously and can shut down a computer or server in the event of an extended power failure.

Liebert MultiLink can also be configured for use without the USB cable when the Liebert IntelliSlot SNMP/Web card is installed in the UPS. Additionally, Liebert MultiLink can be configured to coordinate shutdown across the network with other computers running Liebert MultiLink when you purchase a Liebert MultiLink License Kit. For more information about the Liebert IntelliSlot SNMP/Web Card and Liebert MultiLink License Kits, visit our Web site (www.liebert.com) or contact your local dealer or Emerson representative.

Several option cards are available for use in the Liebert IntelliSlot port of the Liebert GXT3. The Liebert IntelliSlot SNMP/Web Card provides SNMP and Web-based monitoring and control of the UPS across the network.

The Liebert IntelliSlot MultiPort 4 Card allows installing Liebert MultiLink software on four computers and coordinate shutdown in the event of a power failure.

The Liebert IntelliSlot Relay Card provides dry contact relay outputs for custom wired applications and delivers support for built-in shutdown for AS/400 systems.



CAUTION

To maintain safety (SELV) barriers and for electromagnetic compatibility, signal cables should be shielded and run separate from all other power cables, where applicable.

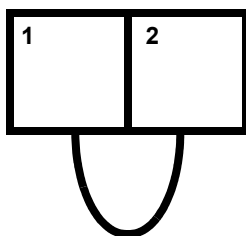
9.4 Remote Emergency Power Off

The UPS is equipped with a Remote Emergency Power Off (REPO) connector.

The user must supply a means of interfacing with the REPO circuit to allow disconnecting the UPS input feeder breaker to remove all sources of power to the UPS and connected equipment to comply with national and local wiring codes and regulations.

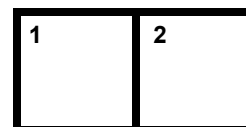
REPO switch connection diagram

UPS ships with REPO jumper installed allowing the UPS to operate



Normally closed switch system
(fail-safe)

Opening the REPO connection will disable the UPS. Manual restart using the front panel is required after the REPO connection is closed again.



CAUTION

To maintain safety (SELV) barriers and electromagnetic compatibility, signal cables should be shielded and run separately from power cables.

10.0 MAINTENANCE

This section describes replacing the internal battery pack, precautions, checking the Liebert GXT3's status and checking UPS functions.

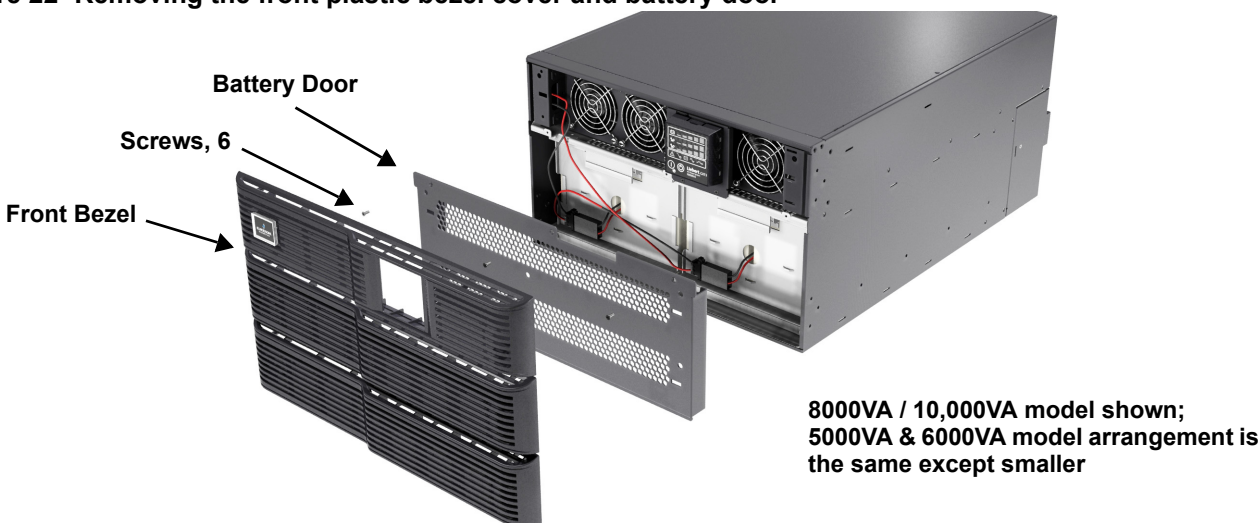
10.1 Replacing the Internal Battery Pack

The Liebert GXT3 is designed to allow the user to replace the internal battery pack safely. Read the safety cautions before proceeding. Contact your local dealer or Emerson representative to obtain the part number and pricing of the appropriate replacement battery pack.

10.1.1 Battery Replacement Procedures

1. Gently remove the front plastic bezel cover from the UPS.
2. Loosen and remove the six screws on the battery door, as shown in **Figure 22**.
3. Lay the battery door and screws aside for reassembly.

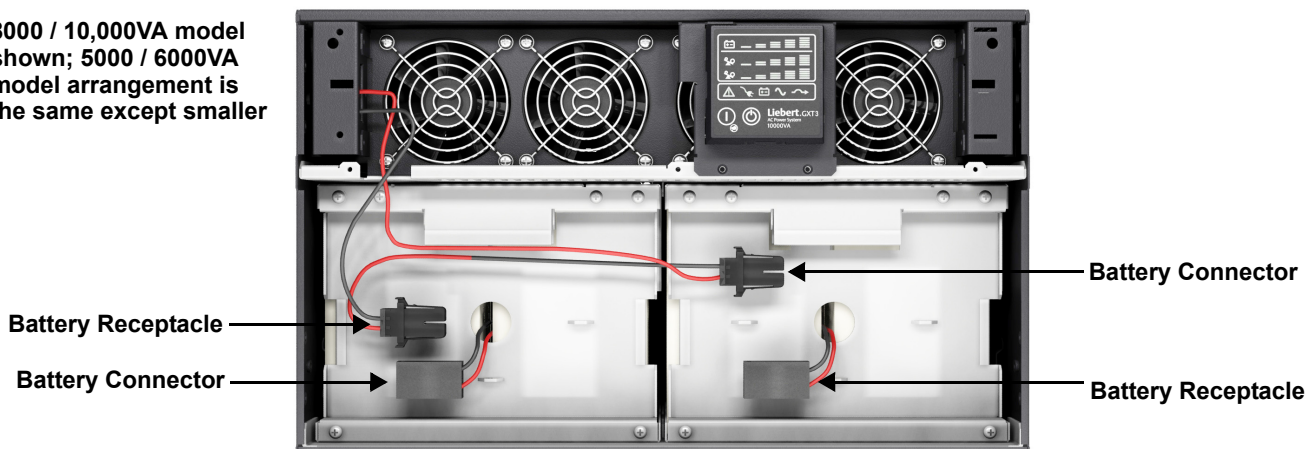
Figure 22 Removing the front plastic bezel cover and battery door



4. Gently pull the battery wires out and disconnect the battery plugs and battery receptacles, as shown in **Figure 23**.

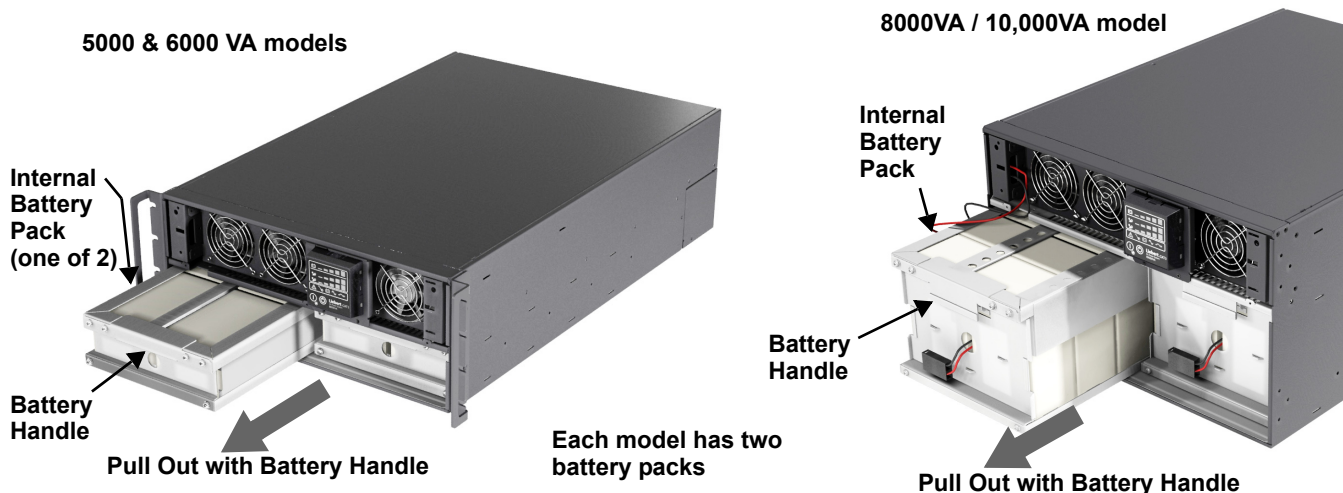
Figure 23 Disconnecting the battery plug and battery receptacle (front view)

8000 / 10,000VA model shown; 5000 / 6000VA model arrangement is the same except smaller



5. Grasp the battery handle and pull one of the internal battery packs out of the UPS, as shown in **Figure 24**. Repeat this step if both battery packs will be replaced. Each model has two battery packs

Figure 24 Pulling out the battery packs



6. Unpack a new internal battery pack. Take care not to destroy the packing. Compare the new and old internal battery packs to make sure they are the same type and model. If they are the same, proceed with **Step 7**; if they are different, stop and contact your local Emerson representative or Emerson Channel Support.
7. Line up and slide in the new internal battery pack.
8. Repeat **Steps 6** and **7** if replacing both battery packs. Each model has two battery packs
9. Reconnect the battery plugs and battery receptacles.
10. Gently push the battery wire into the UPS battery compartment.
11. Reattach the front battery door with the six screws.
12. Reattach the front plastic bezel cover to the UPS.

**NOTE**

The internal battery pack is hot-swappable. However, caution should be exercised because the load is unprotected from disturbances and power failures during this procedure. Do not replace the battery while the UPS is operating in Battery Mode. This will result in a loss of output power and will drop the connected load.

10.2 Battery Charging

The batteries are valve-regulated, nonspillable, lead acid and should be kept charged to attain their design life. The Liebert GXT3 charges the batteries continuously when it is connected to the utility input power.

If the Liebert GXT3 will be stored for a long time, Emerson recommends connecting the UPS to input power for at least 24 hours every four to six months to ensure full recharge of the batteries.

10.3 Precautions

Although the Liebert GXT3 has been designed and manufactured to ensure personal safety, improper use can result in electrical shock or fire. To ensure safety, observe the following precautions:

- Turn Off and unplug the Liebert GXT3 before cleaning it.
- Wear rubber gloves and boots.
- Clean the UPS with a dry cloth. Do not use liquid or aerosol cleaners.
- Never block or insert any objects into the ventilation holes or other openings of the UPS.
- Do not place the Liebert GXT3 power cord where it might be damaged.

10.4 Checking UPS Status

Emerson recommends checking the UPS operation status every six months.

- Check whether the UPS is faulty: Is the Fault Indicator on? Is the UPS sounding an alarm?
- Check whether the UPS is operating in Bypass Mode. Normally, the UPS operates in Normal Mode. If it is operating in Bypass Mode, stop and contact your local Emerson representative, or Emerson Channel Support.
- Check whether the battery is discharging. When the utility input is normal, the battery should not discharge. If the UPS is operating in Battery Mode, stop and contact your local Emerson representative or Emerson Channel Support.

10.5 Checking UPS Functions



NOTE

UPS function check procedures may interrupt power supply to the connected load.

Emerson recommends checking the UPS functions once every six months.

Back up the load data before conducting the UPS functions check. Procedures are as follows:

1. Press the Standby/Manual Bypass button to check whether the buzzer and indicators are normal.
2. Press the On/Alarm Silence/Manual Battery Test button to check again whether the indicators are on and the UPS is operating normally.
3. Press the On/Alarm Silence/Manual Battery Test button for three seconds after Inverter Mode. The UPS should initiate a battery self-test. Check to determine whether the battery is operating normally. If not, stop and contact your local Emerson representative or Emerson Channel Support.

10.6 Replacing the Power Module on 8000 and 10,000VA models



CAUTION

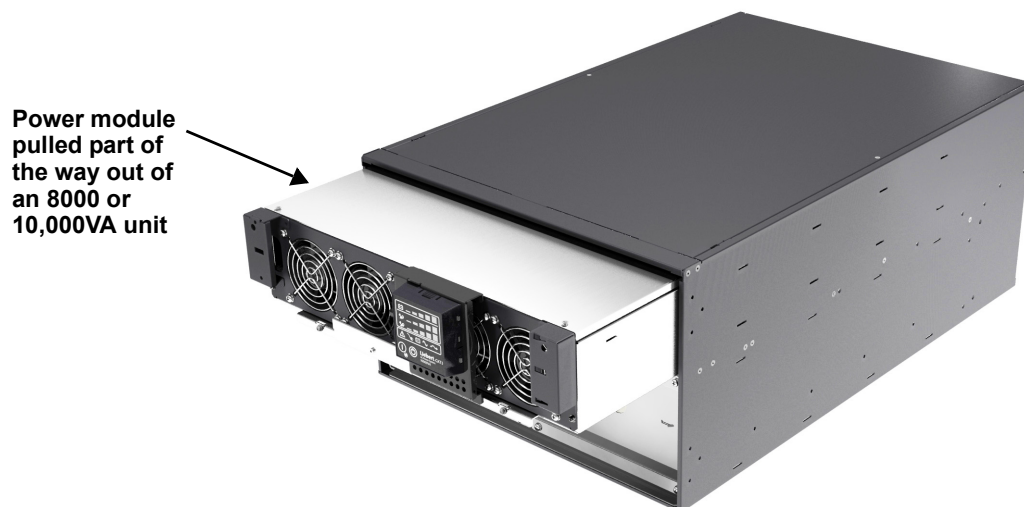
The UPS must be switched to manual bypass before personnel begin to replace the power module.

NOTICE

During the procedure, the connected load will not be protected from power disturbances, such as spikes, sags and failure.

To remove the UPS power module without shutting off power to the connected load:

1. Place the UPS on internal bypass. This may be done by any of the three following methods:
 - a. Press the Off button on the front panel one time.
 - b. Slide the bracket away from the manual bypass switch on the rear of the UPS; this requires loosening the captive screw and sliding the bracket away from the manual bypass switch.
 - c. Remove the front grille covering the power module.
2. Move the manual bypass breaker on the rear of the UPS to the bypass position; this requires loosening the captive screw and sliding the bracket away from the manual bypass switch (see **Figure 7**).
3. Open the input circuit breaker on the rear of the UPS (see **Figure 7**).
4. Open the output circuit breaker on the rear of the UPS (see **Figure 7**).
5. Remove the top two front plastic bezels by pulling them forward.
6. Remove the power module cover grille and the battery cover grille with the screws securing them to the frame.
7. Disconnect the slotted battery connectors from the internal battery packs.
8. If additional external batteries are used, disconnect the two external battery connectors.
9. Slide power module restraint lever up out of the locked position.
10. Slide the power module out the front, supporting its weight as it is withdrawn.

Figure 25 Removing power module from Liebert GXT3 8000 and 10,000VA models

11. Insert the replacement UPS power module.
12. Slide the power module restraint lever back into the locked position.
13. Reconnect the slotted internal battery connectors.
14. Reconnect the external battery cables, if used.
15. Reattach both front cover grilles.
16. Reattach the front plastic bezels.
17. Close the input circuit breaker on the rear of the UPS (see **Figure 7**).
18. Close the output circuit breaker on the rear of the UPS (see **Figure 7**).
19. Move the bypass breaker on the rear of the UPS back to the INVERTER position (see **Figure 7**).
20. Slide the bracket back next to the manual bypass breaker and tighten its thumbscrew.
21. Press the On button on the front panel one time to return the UPS to Normal Mode operation (see **Figure 18**).

**NOTE**

The power module restraint lever must be fully engaged for the UPS to operate in Normal Mode.

11.0 TROUBLESHOOTING

This section indicates various UPS symptoms a user may encounter and provides a troubleshooting guide in the event the UPS develops a problem. Use the following information to determine whether external factors caused the problem and how to remedy the situation.

11.1 UPS Symptoms

The following symptoms indicate the Liebert GXT3 is malfunctioning:

- The relative indicators illuminate, indicating the UPS has detected a problem.
- An alarm buzzer sounds, alerting the user that the UPS requires attention.

11.1.1 Indicators

In addition to the fault indicator being illuminated, one or more of LED segments of battery level indicator will also be illuminated to provide a diagnostic aid to the user, as shown in **Figure 26**. The descriptions are listed in **Table 4**.

Figure 26 Battery level indicator



Table 4 Indicator descriptions

Indicator	Diagnosis/Audible alarm
A - E	On bypass from output overload (half-second beep every half-second)
A	On bypass due to overtemperature condition (1-second beep every 4 seconds)
B	On bypass due to DC bus overvoltage (1-second beep every 4 seconds)
C	On bypass due to DC/DC power supply failure (1-second beep every 4 seconds)
D	PFC failure (1-second beep every 4 seconds)
E	On bypass due to inverter failure (1-second beep every 4 seconds)
A&B	UPS Failure (includes dual-fan failure, single-fan failure under certain conditions and battery charger failure) and continuous alarm
A&C	UPS failed battery test (2-second beep every 60 seconds)
A&D	Maintenance bypass switch on (continuous)
A&E	Bypass feedback (1-second beep every 4 seconds)
B&C	REPO (one quarter-second beep at quarter-second intervals)
B&E	Short circuit on the output
C&E	UPS shutdown by command from communication (USB port or Liebert IntelliSlot port) (no audible)
Utility LED flash	L-N reverse
Battery Indicator Flashing	Internal battery source not available (continuous horn); check battery connection, power down and reboot UPS
Bypass Indicator Flashing	Utility power voltage or frequency is out of tolerance; bypass is unavailable

A - E indicators are shown in **Figure 26**

11.1.2 Audible Alarm

An audible alarm will sound in conjunction with the visual indicators to indicate a change in UPS operating status. The audible alarm will sound as described in **Table 5**.

Table 5 Audible alarm description

Condition	Alarm
Battery discharge	Half-second beep every 10 seconds
Low battery	Two half-second beeps every 5 seconds
UPS fault, load on bypass	1-second beep every 4 seconds
UPS fault, no power to load	Continuous
Overload	Half-second beep every half second
Battery replacement	2-second beep every 60 seconds
Battery loss	Continuous
Wiring problem (loss of proper grounding for UPS)	Continuous
Bypass reminder	1-second beep every 2 minutes

11.2 Troubleshooting

In the event of an issue with the UPS, refer to **Table 6** to determine the cause and solution. If the fault persists, contact Emerson Channel Support.

Table 6 Troubleshooting table

Problem	Cause	Solution
UPS fails to start when the On/Alarm Silence/Manual Battery Test button is pressed	UPS is short-circuited or overloaded	Ensure UPS is Off. Disconnect all loads and ensure nothing is lodged in output receptacles. Ensure loads are not defective or shorted internally.
Battery indicator is illuminated	UPS is not plugged in	UPS is operating from battery mode. Ensure UPS is securely plugged into the wall receptacle.
	UPS input protection fuse has blown/opened	UPS is operating from battery mode. Save data and close applications. Replace UPS input fuse, then restart UPS.
	Utility power is out of tolerance	UPS is operating from battery mode. Save data and close applications. Ensure utility supply voltage is within acceptable limits for UPS.
UPS has reduced battery backup time	Batteries are not fully charged	Keep UPS plugged in continuously at least 24 hours to recharge batteries.
	UPS is overloaded	Check load level indicator and reduce the load on the UPS.
	Batteries may not be able to hold a full charge due to age	Replace batteries. Contact your local dealer, Emerson representative or Emerson Channel Support for replacement battery kit.
Fault and Bypass indicators and all LED segments of battery level indicator are illuminated	UPS is overloaded or load is faulty	Check load level indicator and remove non-essential loads. Recalculate the load and reduce number of loads connected to UPS. Check load for faults.
Fault and Bypass indicators and diagnostic A indicator are illuminated	UPS has been shut down due to temperature condition; load is on bypass power	Ensure UPS is not overloaded, ventilation holes are not blocked and room ambient temperature is not excessive. Wait 30 minutes to allow UPS to cool, then restart UPS. If UPS cannot restart, contact your local dealer, Emerson representative or Emerson Channel Support.
Fault and Bypass indicators and diagnostic B indicator are illuminated	UPS internal DC bus overvoltage	UPS requires service. Contact your local dealer, Emerson representative or Emerson Channel Support.

Table 6 Troubleshooting table (cont'd)

Problem	Cause	Solution
Fault and Bypass indicators and diagnostic C indicator are illuminated	UPS DC/DC fault	UPS requires service. Contact your local dealer, Emerson representative or Emerson Channel Support.
Fault indicator and diagnostic D indicator are illuminated	UPS PFC (Power Factor Correction Circuit) fault	UPS requires service. Contact your local dealer, Emerson representative or Emerson Channel Support.
Fault and Bypass indicators and diagnostic E indicator are illuminated	UPS inverter fault	UPS requires service. Contact your local dealer, Emerson representative or Emerson Channel Support.
Fault indicator and diagnostic A and C indicators are illuminated	UPS failed the battery test	Replace batteries. Contact your local dealer, Emerson representative or Emerson Channel Support.
Fault and Bypass indicators and diagnostic C and E indicators are illuminated	UPS has been shut down by a command from the communications port(s)	Your UPS has received a signal or command from the attached computer. If this was inadvertent, ensure the communication cable used is correct for your system. For assistance, contact your local dealer, Emerson representative or Emerson Channel Support.
Fault indicator and diagnostic A and B indicators are illuminated	UPS failure (includes dual-fan failure, single-fan failure under certain conditions and battery charger failure) and continuous alarm	Ensure fan is not blocked up. If the fault is not removed, contact your local dealer, Emerson representative or Emerson Channel Support.
AC input indicator is flashing.	UPS detected a line-to-neutral reversal or a loss of proper grounding for UPS; continuous horn and UPS cannot start up in standby status. This is active only when power is first applied to the input. Once the UPS is running, the AC input indicator will flash, unless the input wiring is correctly changed.	Contact a qualified electrician to verify site wiring.
Battery indicator is flashing.	Battery source is not available; continuous horn.	Check battery connections, completely power down and restart UPS. NOTE: If the battery circuit opens while the UPS is running, it will be detected when the next battery test is performed.
Bypass indicator is flashing.	Because the voltage or frequency is outside acceptable limits, the bypass is disabled.	The AC input powers the PFC input and serves as the bypass source. If the AC is present but the voltage or frequency exceeds the acceptable range for safe operation with a load, the bypass will be disabled and this indicator will flash, indicating that the bypass is unavailable.

When reporting a UPS issue to Emerson, include the UPS model and serial number. These are on the top panel of the Liebert GXT3.

12.0 SPECIFICATIONS

Table 7 UPS specifications—5000, 6000, 8000 and 10,000 models

Model Number	GXT3-5000RT208	GXT3-6000RT208	GXT3-8000RT208	GXT3-10000RT208
Model Rating	4000W/5000VA	4800W/6000VA	7200W/8000VA	9000W/10000VA
Dimensions, Rack Mount, W x D x H				
Unit, in. (mm)	16.9 x 26.1 x 6.8 (430 x 662 x 173)		16.9 x 26.5 x 10.3 (430 x 672 x 261)	
Shipping, in. (mm)	26.1 x 33.1 x 13.2 (662 x 842 x 336)		24.1 x 32.8 x 16.7 (612 x 832 x 424)	
Weight lb (kg)				
Unit, lb (kg)	56.2 (25.5)		78.3 (35.5)	
Shipping, lb (kg)	70.5 (32)		92.6 (42)	
Input AC Parameters				
Nominal Operating Frequency	50 or 60Hz (Factory Default is 60Hz)			
Factory Default VAC	120/208VAC at 120 degrees		120/208VAC at 120 degrees	
L1-L2 Factory Default Input Phase Angle	120 degrees		120 degrees	
Allowable Input Phase Angle	120, 180, 240 degrees, auto-sensing on application of alternating current (Restrictions for L-N voltages other than 120VAC)			
Factory Default L1-N, L2-N VAC	120 VAC nominal			
User Configurable L1-N, L2-N VAC	100/110/115/120/127 VAC (can be modified with configuration program)			
Input Frequency w/o Battery Operation	40 - 70 Hz			
Input Power Connection	Hardwire Terminal Block 3W + G (L-L-N-G)			
L1-N, L2-N Maximum Allowable VAC	150VAC			
Output AC Parameters				
Factory Default VAC	120/208VAC @ 120 degrees			
L1-L2 Factory Default Output Phase Angle	120 degrees			
Allowable Output Phase Angle	120, 180, 240 degrees, auto-sensing on initial application of input AC			
Factory Default L1-N, L2-N VAC	120VAC nominal			
User Configurable L1-N, L2-N VAC	100/110/115/120/127VAC, $\pm 2\%$			
L1-N, L2-N, Operating Load Range				
105% to 130%	1 Minute			
131% to 150%	10 seconds			
151% to 200%	1 second			
>200% (impact load)	At least 5 cycles			
Bypass Protection Limits				
Disable Bypass Operation	If input voltage exceeds $\pm 15\%$ of the nominal voltage			
Re-Enable Bypass Operation	If input voltage returns to within $\pm 10\%$ of nominal output voltage			
Disable Bypass Operation	When the input frequency prevents synchronous operation			
Environmental				
Operating Temp, °F (°C)	32 to 104 (0 to 40); see Table 9 - Operating temperature parameters			
Storage Temp, °F (°C)	5 to 122 (-15 to 50)			
Relative Humidity	0% to 95%, non-condensing			
Operating Elevation	Up to 10,000 ft. (3000m) at 104°F (40°C) without derating			
Audible Noise	less than 55dBA at 3.2ft. (1m) rear; less than 50dBA at 3.2ft. (1m) front and sides			
Agency				
Safety	UL 1778, c-UL Listed			
RFI/EMI	FCC Part 15, Subpart B, Class A, FCC Class A			
Surge Immunity	IEEE/ANSI C62.41 Category A & B			
Transportation	ISTA Procedure 1A			

Table 8 UPS specifications—Liebert GXT3-6000RTL630

Model Number	GXT3-6000RTL630
Model Rating	4200W/6000VA
Dimensions, Rack Mount, W X D X H, in. (mm)	
Unit	16.9 x 22.6 x 8.5 (430 x 574 x 217)
Shipping	20.9 x 29.3 x 14.8 (530 x 745 x 377)
Weight, lb (kg)	
Unit	51.8 (23.5)
Shipping	66.1 (30)
Input AC Parameters	
Nominal Operating Frequency	50 or 60Hz (Factory Default, 60)
Factory Default VAC	208VAC
User Configurable VAC	208/220/230/240VAC (may be modified with configuration program)
Operating Voltage Range Without Battery Operation	176 – 280VAC
Maximum Allowable VAC	280VAC
Input Frequency Without Battery Operation	40 - 70Hz
Input Power Connection	L6-30P Plug (on PD-L630 power distribution box)
Output AC Parameters	
Factory Default VAC	208
Output Connections	(2) L6-20R and (2) L6-30R on 12" (300mm) cords (on PD-L630 power distribution box)
Frequency	50Hz or 60Hz, Nominal
Waveform	Sinewave
Duration Inverter Will Support Rated Load	
105% to 130%	1 Minute
131% to 150%	10 seconds
151% to 200%	1 second
>200% (impact load)	At least 5 cycles
Bypass Protection Limits	
Disable Bypass Operation	If input voltage exceeds $\pm 15\%$ of the nominal voltage
Re-Enable Bypass Operation	If input voltage returns to within $\pm 10\%$ of nominal output voltage
Disable Bypass Operation	When the input frequency prevents synchronous operation
Environmental	
Operating Temp, °F (°C)	32 to 104 (0 to 40); see Table 9
Storage Temp, °F (°C)	5 to 122 (-15 to 50)
Humidity	0% to 95% Relative Humidity, non-condensing
Operating Elevation	Up to 10,000 ft. (3000m) at 104°F (40°C) without derating
Audible Noise	Less than 55dBA at 3.2ft. (1m) rear; Less than 50dBA at 3.2ft. (1m) front and sides
Agency	
Safety	UL 1778, c-UL Listed
EMI/EMC	FCC Class A
ESD	EN61000-4-2
Radiated Susceptibility	EN61000-4-3
Electrical Fast Transient	EN61000-4-4
Surge Immunity	EN61000-4-5
Transportation	ISTA Procedure 1A

Table 9 Operating temperature parameters

Ambient Temperature, °C (°F)	pf @30°C ±3°C (pf @ 86°F ±5.4°F)	pf @40°C ±3°C (pf @ 104°F ±5.4°F)
GXT3-5000/6000RT208	0.8pf	0.8pf
GXT3-6000RTL630	0.7pf	0.7pf
GXT3-8000/10000RT208	0.9pf	0.8pf

Table 10 Internal battery cabinet specifications

Model Number	GXT3-144BATKIT	GXT3-240BATKIT	GXT3-288RTBKIT
Used with UPS Model	GXT3-5000RT208 GXT3-6000RT208	GXT3-6000RTL630	GXT3-8000RT208 GXT3-10000RT208
Dimensions, Rack Mount, W x D x H, in (mm)			
Unit	8.1 x 19.3 x 2.8 (206 x 490 x 70)	7.2 x 15.4 x 4.4 (184 x 390 x 113)	8.1 x 19.7 x 5.3 (207 x 500 x 135)
Shipping	10.3 x 23.7 x 12.2 (262 x 602 x 310)	10.3 x 18.4 x 7 (262 x 467 x 178)	9.5 x 23.9 x 12.2 (242 x 607 x 310)
Weight lb (kg)			
Unit	75.8 (34.4)	45.4 (20.6)	71.1 (32.3)
Shipping	81.1 (36.8)	50.7 (23)	76.4 (34.7)
Type	Valve-regulated, non-spillable, flame retardant, lead acid		
Quantity x V x Rating	2 x 6 x 12V x 9.0 AH	20 x 12V x 5.0 AH	2 x 12 x 12V x 9.0 AH
Battery Mfr / Part #	CSB/HR1234W	CSB/HR1221W	CSB/HR1234W
Backup Time	See Table 14		
Recharge Time	3 hours to 90% capacity after full discharge into 100% load		
Environmental			
Operating Temp, °F (°C)	32 to 104 (0 to 40); see Table 9		
Storage Temp, °F (°C)	5 to 122 (-15 to 50)		
Relative Humidity	0% to 95%, non-condensing		
Operating Elevation	Up to 10,000 ft. (3000m) at 104°F (40°C) without derating		
Agency			
Safety	UL 1778, c-UL Listed		
RFI/EMI	FCC Part 15, Subpart B, Class A		
Transportation	ISTA Procedure 1A		

Table 11 External battery cabinet specifications

Model Number	GXT3-144VBATT	GXT3-240VBATTUL	GXT3-288RTVBATT
Used w/UPS Model	GXT3-5000 & GXT3-6000RT208	GXT3-6000RTL630	GXT3-8000 & GXT3-10000RT208
Dimensions, W x D x H, in. (mm)			
Unit (with bezel)	16.9 x 26.1 x 3.3 (430 x 662 x 85)	16.9 x 22.6 x 5.1 (430 x 574 x 130)	16.9 x 26.5 x 6.8 (430 x 672 x 173)
Shipping	12.3 x 34.3 x 25.8 (312 x 872 x 655)	20.9 x 29.3 x 16 (530 x 745 x 407)	24.5 x 33.1 x 13.2 (622 x 842 x 336)
Weight, lb (kg)			
Unit	99.9 (45.3)	94.8 (43)	29.8 (13.5)
Shipping	110.2 (50)	119 (54)	44.1 (20)
Battery Parameters			
Type	Valve-regulated, non-spillable, lead acid		
Qty x V	2 x 6 x 12V x 9.0 AH	20 x 12V x 5.0 AH	2 x 12 x 12V x 9.0 AH
Battery Mfr., Part #	CSB/HR1234W	CSB/HR1221W	CSB/HR1234W
Backup Time	See Table 14		
Environmental			
Operating Temp, °F (°C)	32 to 104 (0 to 40); see Table 9		
Storage Temp, °F (°C)	5 to 122 (-15 to 50)		
Relative Humidity	0% to 95%, non-condensing		
Operating Elevation	Up to 10,000 ft. (3000m) at 104°F (40°C) without derating		
Agency			
Safety	UL 1778, c-UL Listed		
RFI/EMI	FCC Part 15, Subpart B, Class A		
Transportation	ISTA Procedure 1A		

Table 12 Power distribution specifications: GXT3-5000RT208, GXT3-6000RT208 and GXT3-6000RTL630

PD Model #	Power Distribution Box Model #								
	PD2-HDWR	PD2-HDWR-MBS	PD2-001	PD2-002	PD2-003	PD2-004	PD2-005	PD2-006	PD2-L630
Dimensions, W x D x H, in (mm)									
Unit	5.2x15.5x3.5 (132x393x88)	5.2x15.5x3.5 (132x393x88)	5.2x15.5x3.5 (132x393x88)	5.2x15.5x3.5 (132x393x88)	5.2x15.5x3.5 (132x393x88)	5.2x15.5x3.5 (132x393x88)	5.2x15.5x3.5 (132x393x88)	5.2x15.5x3.5 (132x393x88)	4.7x13.2x4.1 (119x335x105)
Shipping	9.5x20.7x9.1 (242x527x230)	9.5x20.7x9.1 (242x527x230)	9.5x20.7x9.1 (242x527x230)	9.5x20.7x9.1 (242x527x230)	9.5x20.7x9.1 (242x527x230)	9.5x20.7x9.1 (242x527x230)	9.5x20.7x9.1 (242x527x230)	9.5x20.7x9.1 (242x527x230)	10.2x18.4x8.7 (260x467 x222)
Weight, lb (kg)									
Unit	5.1 (2.3)	6 (2.7)	8.8 (4)	8.6 (3.9)	8.6 (3.9)	9.9 (4.5)	10.6 (4.8)	9.5 (4.3)	8.8 (4)
Shipping	7.3 (3.3)	8.2 (3.7)	11 (5)	10.8 (4.9)	10.8 (4.9)	12.1 (5.5)	12.8 (5.8)	11.7 (5.3)	11 (5)
Electrical Specifications									
Amp Rating	30A 2-pole input breaker for UPS input power								
Input Power Connections	Hardwire Terminal Block 3W + G (L-L-N-G)	[1] L14-30R on a 300mm cord							(1) L6-30P
Output Power Connection	Hardwire Terminal Block 3W + G (L-L-N-G)	(4) 5-20R (1) L14-30 (1) L6-30R	(2) 5-20R (2) L6-20R	(4) 5-20R (2) L6-30	(4) L5-20R (2) L5-30R	(4) L5-20R (2) L6-30R	(4) L6-20R	(2) L6-20R (2) L6-30R	

Table 13 Power distribution box specifications for GXT3-8000RT208 and GXT3-10000RT208

PD Model Number	Power Distribution Box Model #					
	PD2-101	PD2-102	PD2-103	PD2-104	PD2-105	PD2-106
Dimensions, W x D x H, in. (mm)						
Unit	7.4 x 5.7 (188 x 145)	7.4 x 5.7 (188 x 145)	7.4 x 5.7 (188 x 145)	7.4 x 5.7 (188 x 145)	7.4 x 5.7 (188 x 145)	7.4 x 5.7 (188 x 145)
Shipping	11.9 x 20.6 x 8.7 (302 x 522 x 220)	11.9 x 20.6 x 8.7 (302 x 522 x 220)	11.9 x 20.6 x 8.7 (302 x 522 x 220)	11.9 x 20.6 x 8.7 (302 x 522 x 220)	11.9 x 20.6 x 8.7 (302 x 522 x 220)	11.9 x 20.6 x 8.7 (302 x 522 x 220)
Weight, lb (kg)						
Unit	4.4 (2)	6.6 (3)	6.6 (3)	6.6 (3)	4.4 (2)	6.6 (3)
Shipping	6.6 (3)	8.8 (4)	8.8 (4)	8.8 (4)	6.6 (3)	8.8 (4)
Electrical Specifications						
Amp Rating	2-pole 60A Input Breaker					
Input Power Connections	Hardwire Terminal Block 3W + G (L-L-N-G) to Chassis					
Output Power Connection	(2) L6-30 (8) 5-20R	(4) L6-20R (4) 5-20R	(4) 5-20R (4) L6-30R	(4) 5-20R (2) L6-30R (2) L6-20R	(4) 5-20R (2) L5-30R (2) L5-20R	(4) L6-20R (4) L5-20R

Table 14 Battery run time, minutes

Number of Batteries	Load Percent of Capacity	208/120VAC RT				208VAC RT	220VAC Tower
		5kVA	6kVA	8kVA	10kVA	6kVA (L630)	10kVA
Internal Battery	10	108	94	128	100	100	81
	20	49	43	61	46	50	39
	30	34	26	40	28	38	22
	40	22	17	27	18	26	15
	50	16	13	20	14	19	11
	60	13	10	16	11	15	8
	70	11	8	13	9	12	6
	80	9	6	11	7	10	5
	90	7	5	9	6	9	4
	100	6	4	7	5	8	3
Internal Battery + 1 External Battery Cabinet	10	164	154	192	159	164	190
	20	110	96	129	102	102	127
	30	74	53	90	65	74	81
	40	50	44	63	46	51	60
	50	42	34	48	37	45	46
	60	34	26	41	28	38	39
	70	27	21	34	23	31	32
	80	22	17	27	18	25	26
	90	18	15	23	16	22	22
	100	16	13	20	14	19	18
Internal Battery + 2 External Battery Cabinets	10	221	201	308	210	209	316
	20	149	136	158	141	136	162
	30	112	97	130	103	103	136
	40	82	69	101	74	82	106
	50	66	50	77	52	67	82
	60	50	44	63	46	51	69
	70	45	37	50	40	47	52
	80	39	31	45	34	42	48
	90	34	26	40	28	38	44
	100	28	22	36	25	33	39
Internal Battery + 3 External Battery Cabinets	10	318	304	330	310	226	—
	20	165	156	194	160	180	—
	30	142	127	152	133	124	—
	40	112	97	131	103	104	—
	50	94	74	107	79	92	—
	60	75	60	91	65	74	—
	70	62	49	74	51	62	—
	80	50	44	63	46	51	—
	90	46	39	51	42	48	—
	100	42	34	47	37	44	—
Internal Battery + 4 External Battery Cabinets	10	334	322	343	327	360	—
	20	203	180	220	190	199	—
	30	156	145	164	149	152	—
	40	137	122	148	128	113	—
	50	113	98	131	103	104	—
	60	98	77	110	82	94	—
	70	79	66	97	71	79	—
	80	69	52	80	60	69	—
	90	53	48	71	50	60	—
	100	50	44	63	46	51	—

Using the configuration program, the user may specify the number of external battery cabinets attached to the UPS. The factory default is programmed for internal batteries only.

Table 14 shows the estimated run times at different loads.

12.1 Auto-Learning Battery Run Times

As batteries age, the estimated runtimes may become less accurate. The Liebert GXT3 is programmed to “learn” from a full battery discharge and modify the estimated run time for the measured battery capacity. This can improve accuracy and compensate for aging batteries or batteries that operate at different ambient temperatures.

The UPS will update the anticipated run time calculation only under certain conditions.

- The UPS must have a steady load that is greater than 20%.
- The UPS must be at 100% charge at the start of a battery discharge.
- The battery discharge must continue uninterrupted until the batteries reach their end-of-discharge voltage.

If all conditions are not met, the run time calculation will not be modified.

If the configuration program is used to change the number of battery cabinets, then the values in **Table 14** will be restored. This will override any value that is Auto-Learned.

Ensuring The High Availability Of Mission-Critical Data And Applications.

Emerson Network Power, a business of Emerson (NYSE:EMR), is the global leader in enabling *Business-Critical Continuity™* from grid to chip for telecommunication networks, data centers, health care and industrial facilities. Emerson Network Power provides innovative solutions and expertise in areas including AC and DC power and precision cooling systems, embedded computing and power, integrated racks and enclosures, power switching and controls, infrastructure management, and connectivity. All solutions are supported globally by local Emerson Network Power service technicians. Liebert AC power, precision cooling and monitoring products and services from Emerson Network Power deliver Efficiency Without Compromise™ by helping customers optimize their data center infrastructure to reduce costs and deliver high availability.

While every precaution has been taken to ensure the accuracy and completeness of this literature, Liebert Corporation assumes no responsibility and disclaims all liability for damages resulting from use of this information or for any errors or omissions.

© 2010 Liebert Corporation

All rights reserved throughout the world. Specifications subject to change without notice.

® Liebert is a registered trademark of Liebert Corporation.

All names referred to are trademarks or registered trademarks of their respective owners.

SL-23185_REV2_12-11

Technical Support / Service

Web Site

www.liebert.com

Monitoring

liebert.monitoring@emerson.com

800-222-5877

Outside North America: +00800 1155 4499

Single-Phase UPS & Server Cabinets

liebert.upstech@emerson.com

800-222-5877

Outside North America: +00800 1155 4499

Three-Phase UPS & Power Systems

800-543-2378

Outside North America: 614-841-6598

Environmental Systems

800-543-2778

Outside the United States: 614-888-0246

Locations

United States

1050 Dearborn Drive

P.O. Box 29186

Columbus, OH 43229

Europe

Via Leonardo Da Vinci 8

Zona Industriale Tognana

35028 Piove Di Sacco (PD) Italy

+39 049 9719 111

Fax: +39 049 5841 257

Asia

29/F, The Orient Square Building

F. Ortigas Jr. Road, Ortigas Center

Pasig City 1605

Philippines

+63 2 687 6615

Fax: +63 2 730 9572

Emerson Network Power.

The global leader in enabling *Business-Critical Continuity™*

■ AC Power

■ Embedded Computing

■ Outside Plant

■ EmersonNetworkPower.com

■ Racks & Integrated Cabinets

■ Connectivity

■ Embedded Power

■ Power Switching & Controls

■ Services

■ DC Power

■ Infrastructure Management & Monitoring

■ Precision Cooling

■ Surge Protection